

Introduction

The quality of the installation will directly impact the system's tightness as well as its resistance to lateral forces. We recommend following all the steps of this guide to ensure an installation allowing the product to perform as indicated in our documentation. For an installation where an "FM Approval" is required, the instructions provided in the listing file must be followed in coordination with this document.

Step 1 - Positioning the anchoring points

Figures 1.1 and 1.2 show the panel's anchoring points on the building's structural components. When anchoring the panel to a girt, position the screw inserted in the Norex fastener 1" below the upper edge of the girt (figure 1.1). When anchoring the panel to the foundation, position the screw inserted in the Norex fastener 1" below the upper edge of the base angle (figure 1.2)

Figure 1.1: Anchoring to a Girt

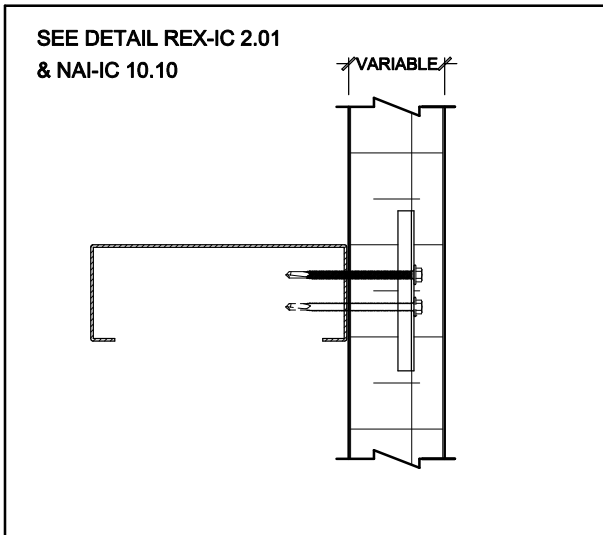


Figure 1.2: Anchoring to the Foundation

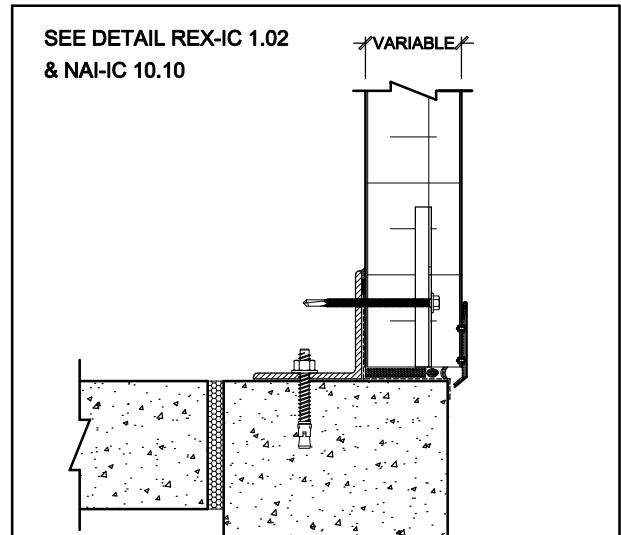
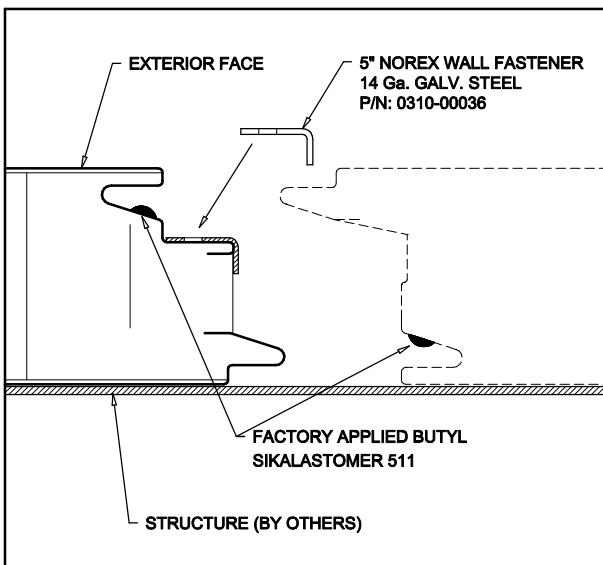


Figure 2.1: Fastener Location



Step 2 - Positioning the Norex fasteners

Position the Norex fastener into the exterior joint it should rests on the steel as indicated in figure 2.1. When the fastener is properly positioned and secured, be sure to stabilize the panel before anchoring it to the structure.



NOTE: ANY DESIGN CHANGE TO THE CLIP, THE JOINT, THE FASTENING METHOD OR THE INSULATION PROPERTIES MUST BE COMMUNICATED TO FM FOR APPROVAL.