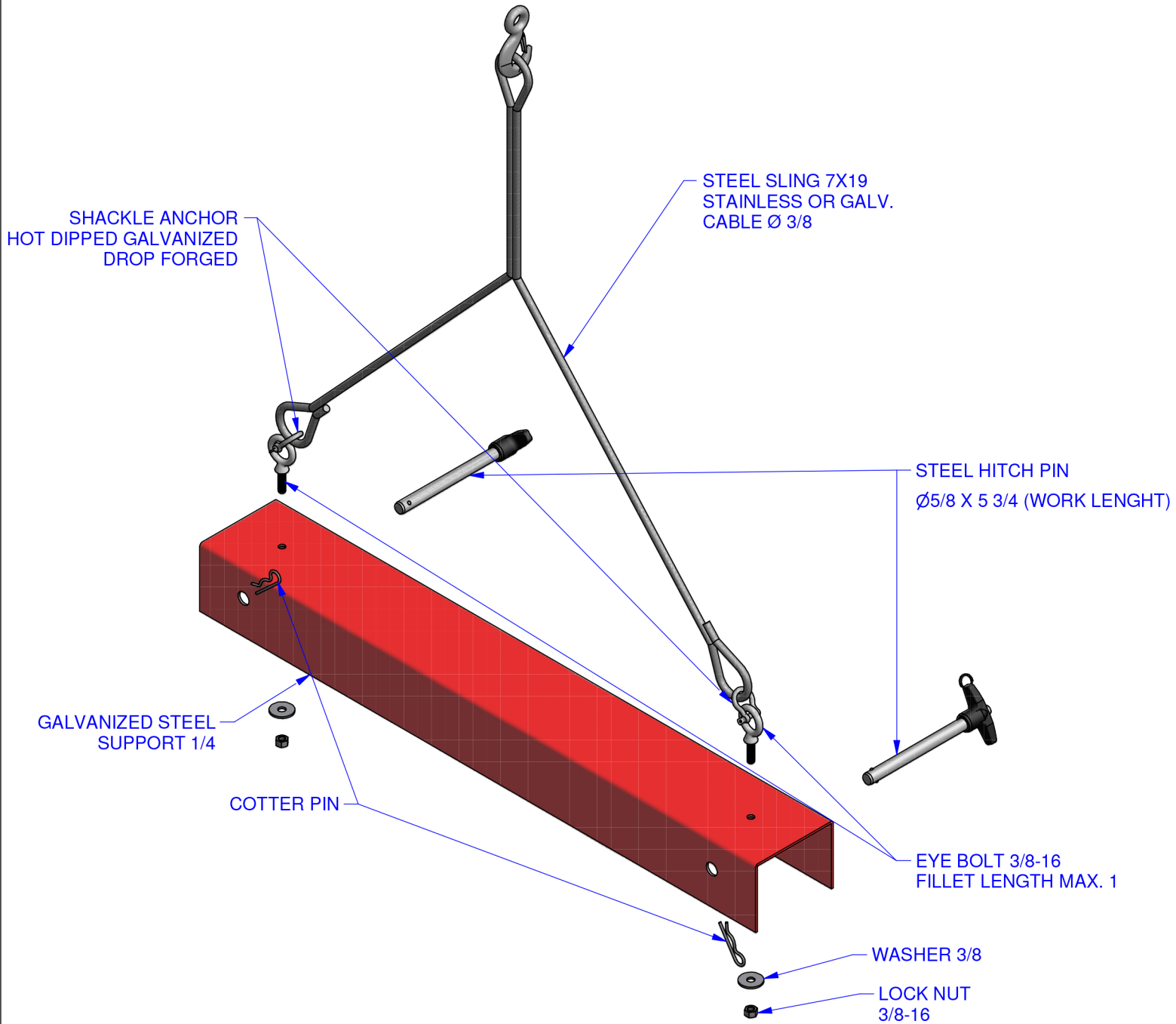
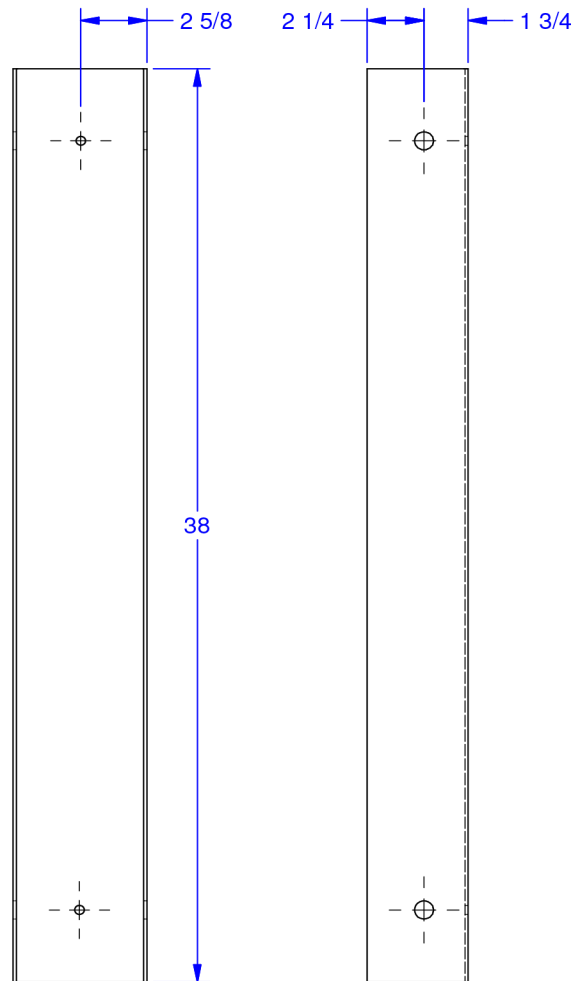
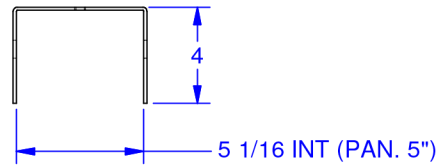
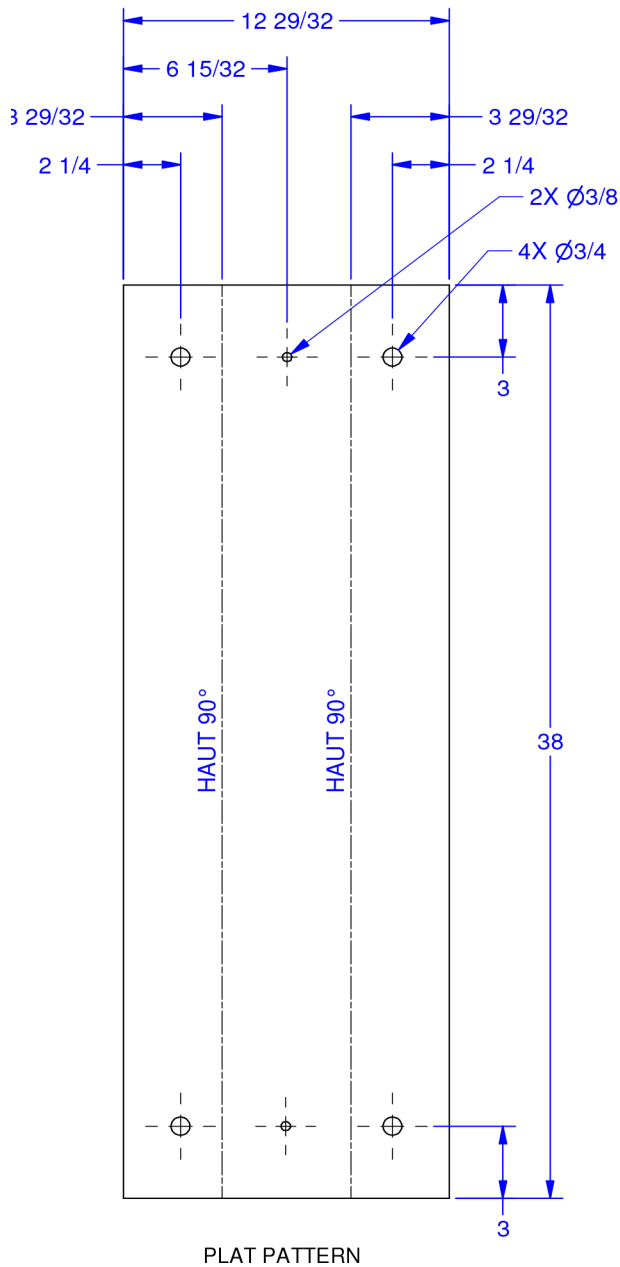


**DETAIL A**

DRILL TWO HOLES  
Ø3/4 @ 1 1/2 FROM TOP

ONCE IN PLACE,  
HOLES MUST BE FILLED  
WITH SPRAYED URETHANE





GALV. STEEL 1/8 THICK.