

PANEL WITH MINERAL FIBER CORE



The Noroc® architectural panel is a fire-rated, insulated panel designed for highly energy efficient buildings. The core comprises a noncombustible, rigid stone-fiber insulation board made from natural basalt rock and recycled slag. The core's natural inorganic content yields an environmentally friendly, fully recyclable panel.

SPECIFICATIONS

		NOROC-L		
DESCRIPTION	<ul style="list-style-type: none"> > Vertical mounting > Joint with concealed fasteners > Different architectural arrangements > Applications: exterior walls and interior partitions 			
WIDTH ⁽¹⁾	42 ½ in.			
LENGTH	7 to 40 ft			
THICKNESS	5, 6 and 8 in.			
R-VALUE	R4 per in.			
STEEL INNER FACE	<ul style="list-style-type: none"> > Standard thickness – 26 Ga > Optional thickness – 24 Ga 			
STEEL OUTER FACE	<ul style="list-style-type: none"> > Standard thickness – 26, 22 Ga > Optional thickness – 24 Ga 			
JOINTS	Double tongue and groove interlocking with integrated pressure equalized rainscreen			
WEIGHT ⁽²⁾⁽³⁾	Thickness (in)	5	6	8
	Weight (lbs/ft ²)	5.33	6.04	7.25

APPLICATIONS

In addition to resisting fire and meeting hygienic requirements, Noroc products offer several applications: industrial or commercial buildings, cold storage, sports centers and more.

⁽¹⁾ The final module width may change due to variations in fabrication and installation. We do not recommend designing a panel arrangement in which the module dimension plays a critical role. ⁽²⁾ Panel weight for a Noroc-L 42 ½ wide panel. ⁽³⁾ Data calculated using 0.019 in. thick steel and stone fiber with a density of 8.50 lb/ft³.

FEATURES / BENEFITS



- > Exclusive and superior fastening system
- > Wider girt spacing reduces costs
- > Fast, simple & economical installation

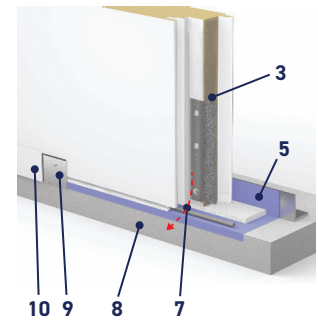
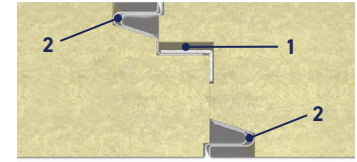


- > The materials are environmentally friendly, nontoxic & energy efficient
- > Can contribute to obtaining LEED certification for a project
- > Stone fiber has an ozone-depletion potential (ODP) of zero
- > Noncombustible building materials with excellent fire resistant properties



- > No cavities, moisture penetration, thermal bridges, risk of interstitial condensation, or lack of insulation
- > Noroc® pressure-equalized rainscreen joint ensures that the building envelope is well sealed
- > Factory-applied butyl joint sealer ensures maximum seal

PRESSURE-EQUALIZED RAINSCREEN JOINT



- | | |
|--------------------|-----------------|
| 1 AIR CAVITY | 5 VAPOR BARRIER |
| 2 BUTYL | 6 POLYETHYLENE |
| 3 NOROC® FASTENER | 7 WEEP HOLE |
| 4 STRUCTURAL ANGLE | 8 FOUNDATION |
| | 9 TRIM HANGER |
| | 10 TRIM |

MAIN PHYSICAL PROPERTIES OF ROCK WOOL

PROPERTY	METHOD	RESULTS
Surface burning characteristics	ASTM E84 (UL723)	FS = 0, SDI = 0
Test for non-combustibility	CAN4-S-114	Non combustible
Moisture absorption (96-h exposure to high humidity atmosphere)	ASTM C1104	0.05 % by weight
Linear shrinkage	ASTM C356	0.19 %
Thermal resistance (R-value/inch at 75 °F)	ASTM C518 (C177)	4.0 pi ² °F h/BTU/in. of thickness
Corrosiveness	ASTM C665	Passed
Stainless-Steel Stress Corrosion specification as per test method C871 and C692 : Nuclear regulatory Commission, Reg. Guide #1.36 : US Military Specifications MIL-I-24244 (all versions, including B and C)	ASTM C795	Conforms
Density (lb/ft ³)		8.5 lb/ft ³
Compressive strength (at 10%) (4 in. panels)	ASTM C165	6.64 PSI (45.8 KPA)

TESTS

	PROCEDURE	TITLE	RESULTS
FIRE CANADA	CAN/ULC-S101	Fire endurance tests of building construction and materials	5 in. = 60 min 6 in. = 120 min 8 in. = 180 min ⁽⁴⁾
	CAN/ULC-S102	Surface burning characteristics of building materials and assemblies	Flame spread < 25 Smoke developed < 45
	CAN/ULC-S126	Standard method of test for fire spread under roof-deck assemblies	Test requirements have been met
FIRE US	ASTM E84	Surface burning characteristics of building materials	Flame spread < 25 Smoke developed < 450
STRUCTURAL	ASTM E72	Strength tests of panels for building construction	See load tables
AIR INFILTRATION	ASTM E283	Rate of air leakage through curtain walls under specified pressure differences	Test requirements have been met
	ASTM E330	Structural performance of exterior walls by uniform static air pressure difference	Test requirements have been met
	CAN-ULC-S741	Tests methods for air barrier materials used in building applications	Test requirements have been met
	CAN-ULC-S742	Tests methods for an air barrier assembly used in applications for both low-rise and high-rise buildings	Test requirements have been met
THERMAL PERFORMANCE	ASTM C518	Steady-state thermal transmission properties by means of heat-flow meter apparatus	4.0 ft ² °F h/BTU/in. of thickness
WATER INFILTRATION	ASTM E331	Water penetration of exterior walls by uniform static air pressure differences	Test requirements have been met
	AAMA 501.1	Water penetration of exterior walls by dynamic air pressure difference	Test requirements have been met

⁽⁴⁾ See detail ROC-IC-7.04 for installation procedures for interior partition use.

Product availability is subject to change without notice and minimum quantities may be required for some product configurations. For more information, please contact your local representative.

All specifications provided in this document are current at the time of printing. However, because of the Norbec Architectural policy of continual product improvement, we reserve the right to make changes at any time without notice. Norbec.com – 1877 667-2321

