



FWFLC.R25807 Components for Combustible Exterior Wall Cladding Systems

[Page Bottom](#)

Components for Combustible Exterior Wall Cladding Systems

[See General Information for Components for Combustible Exterior Wall Cladding Systems](#)

NORBEC ARCHITECTURAL

R25807

97 DE VAUDREUIL
BOUCHERVILLE, QC J4B 1K7 CANADA

Prefabricated composite building panel, designated as "NOEX-L", maximum 150 mm thick, exterior wall cladding, for use in Design No. CW8.

Prefabricated composite building panel, designated as "NOEX-H", maximum 100 mm thick, exterior wall cladding, for use in Design No. CW8.

[Last Updated](#) on 2012-12-12

[Questions?](#)

[Print this page](#)

[Terms of Use](#)

[Page Top](#)

Copyright © 2015 Underwriters Laboratories of Canada Inc.

When the UL Leaf Mark is on the product, or when the word "Environment" is included in the UL Mark, please search the [UL Environment database](#) for additional information regarding this product's certification.

The appearance of a company's name or product in this database does not in itself assure that products so identified have been manufactured under ULC's Follow-Up Service. Only those products bearing the ULC Mark should be considered to be Listed and covered under ULC's Follow-Up Service. Always look for the Mark on the product.

ULC permits the reproduction of the material contained in the ULC Online Directories subject to the following conditions: 1. The Guide Information, Designs and/or Listings (files) must be presented in their entirety and in a non-misleading manner, without any manipulation of the data (or drawings). 2. The statement "Reprinted from the ULC Online Directories with permission from Underwriters Laboratories of Canada Inc." must appear adjacent to the extracted material. In addition, the reprinted material must include a copyright notice in the following format: "Copyright © 2015 Underwriters Laboratories of Canada Inc."

An independent organization working for a safer world with integrity, precision and knowledge.





FWFLC.GuideInfo Components for Combustible Exterior Wall Cladding Systems

[View Listings](#)

[Page Bottom](#)

[Exterior Wall Systems] (Combustible Exterior Wall Cladding Systems) Components for Combustible Exterior Wall Cladding Systems

[See General Information for Combustible Exterior Wall Cladding Systems](#)

USE

This category covers components for combustible exterior wall cladding systems designated for use in specific assemblies covered under Combustible Exterior Wall Cladding Systems ([FWFJC](#)).

Authorities Having Jurisdiction should be consulted before installation.

ADDITIONAL INFORMATION

For additional information, see Combustible Exterior Wall Cladding Systems ([FWFJC](#)) and Exterior Wall Systems ([FWFFC](#)).

REQUIREMENTS

The basic standard used to investigate products in this category is CAN/ULC-S134, "Standard Method of Fire Test of Exterior Wall Assemblies."

ULC MARK

The Listing Mark of Underwriters Laboratories of Canada on the product is the only method provided by ULC to identify products manufactured under its Listing and Follow-Up Service. The Listing Mark for these products includes the ULC symbol (as illustrated in the Introduction of this Directory) together with the word "LISTED," a control number, and the product name "Component for Combustible Exterior Wall Cladding Systems."

[Last Updated](#) on 2008-10-22

[Questions?](#)

[Print this page](#)

[Terms of Use](#)

[Page Top](#)

Copyright © 2015 Underwriters Laboratories of Canada Inc.

When the UL Leaf Mark is on the product, or when the word "Environment" is included in the UL Mark, please search the [UL Environment database](#) for additional information regarding this product's certification.

The appearance of a company's name or product in this database does not in itself assure that products so identified have been manufactured under ULC's Follow-Up Service. Only those products bearing the ULC Mark should be considered to be Listed and covered under ULC's Follow-Up Service. Always look for the Mark on the product.

ULC permits the reproduction of the material contained in the ULC Online Directories subject to the following conditions: 1. The Guide Information, Designs and/or Listings (files) must be presented in their entirety and in a non-misleading manner, without any manipulation of the data (or drawings). 2. The statement "Reprinted from the ULC Online Directories with permission from Underwriters Laboratories of Canada Inc." must appear adjacent to the extracted material. In addition, the reprinted material must include a copyright notice in the following format: "Copyright © 2015 Underwriters Laboratories of Canada Inc."

An independent organization working for a safer world with integrity, precision and knowledge.





FWFJC.CW8 Combustible Exterior Wall Cladding Systems

[Page Bottom](#)

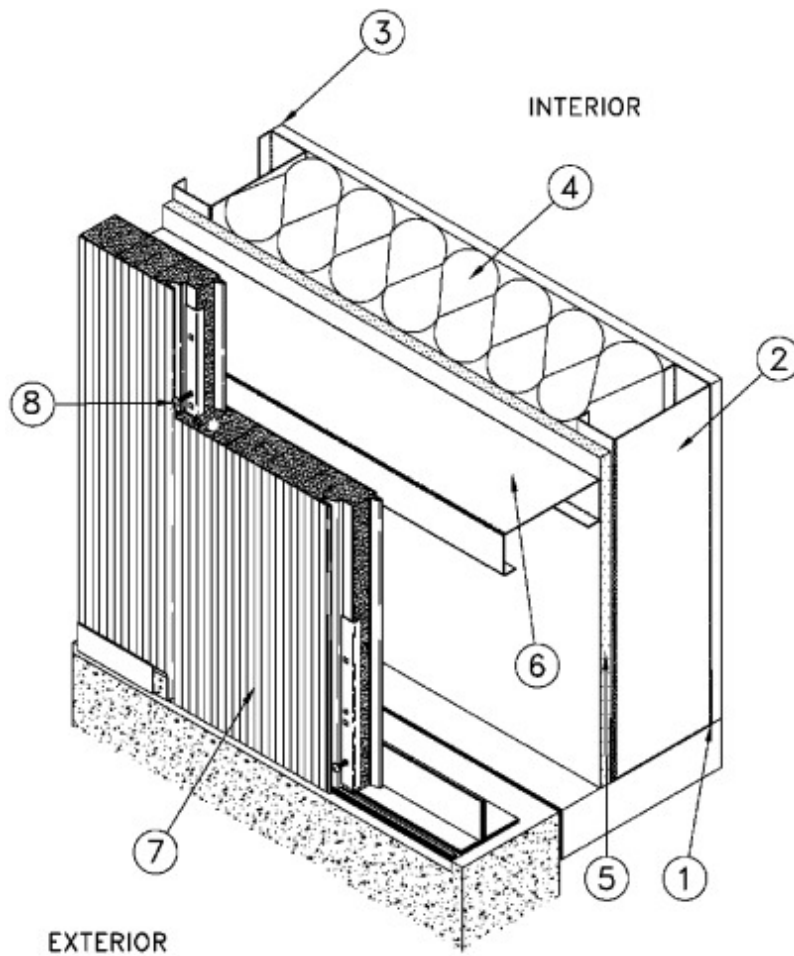
FWFJC - Combustible Exterior Wall Cladding Systems

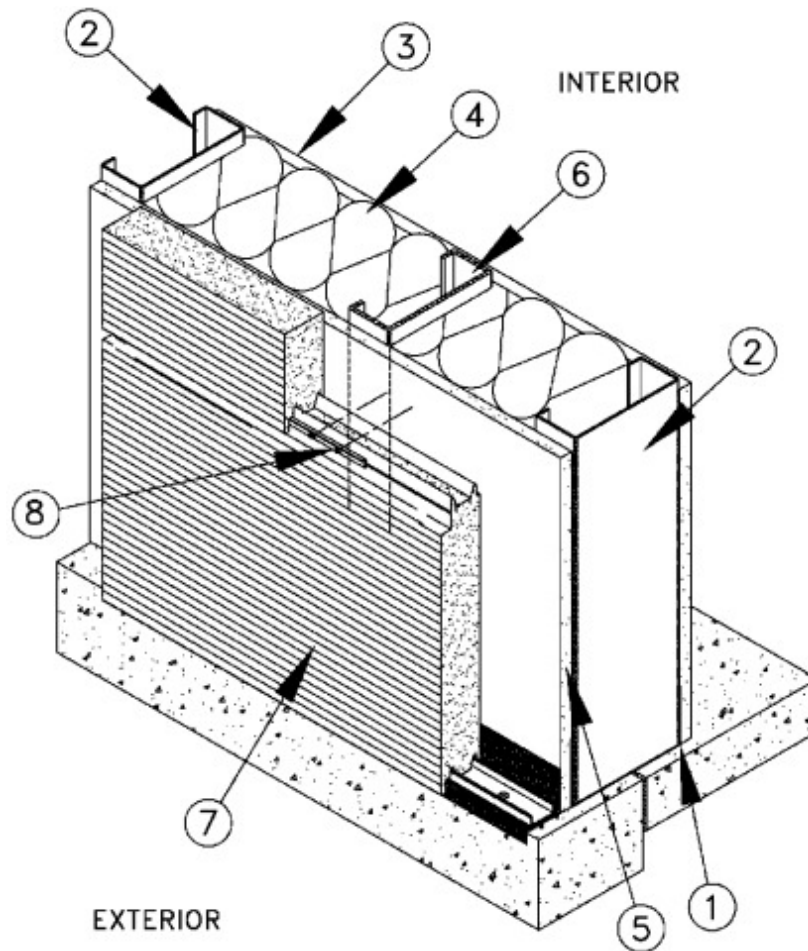
[See General Information for Combustible Exterior Wall Cladding Systems](#)

System No. CW8

March 21, 2013

COMBUSTIBLE EXTERIOR WALL CLADDING SYSTEM





1. **Floor and Ceiling Tracks** — 95 mm deep by 43 mm wide channel, manufactured from 1.10 mm thick galvanized steel, attached to interior substrate with fasteners spaced 600 mm OC.

2. **Steel Studs** — 95 mm deep by 43 mm wide studs with 6 mm lip, manufactured from 1.10 mm thick galvanized steel, fastened to the floor and ceiling tracks, and spaced 400 mm OC.

3. **Gypsum Wallboard** — One layer (minimum) of 12.7 mm thick interior gypsum wallboard, minimum density 7.82 kg/m², attached to steel studs and floor and ceiling track with 3 mm diameter self-drilling, self-tapping screws, 25 mm long, spaced 200 mm OC along edges of board and 300 mm OC in the field of the board.

4. **Batts and Blankets** — Glass fibre batts, nominally 400 mm wide by 1220 mm long by 89 mm thick, minimum density 10.4 kg/m³, placed in the stud cavities.

5. **Gypsum Sheathing** — One layer of 12.7 mm thick ordinary exterior gypsum sheathing, minimum density 7.82 kg/m², attached to steel studs and floor and ceiling track with 3 mm diameter self-drilling, self-tapping screws, 25 mm long, spaced 200 mm OC along edges of board and 300 mm OC in the field of the board.

Items 1-5 describe a design for a non-combustible wall to which items 6-8 must be mounted. Alternatively, any non-combustible construction, as determined by the authorities having jurisdiction, may be substituted for items 1-5.

6. **Structural Steel** — Z-girts or C-girts, 150 mm deep with 75 mm flanges, manufactured from 1.2 mm thick galvanized steel, minimum, installed perpendicular to intended panel orientation at 3050 mm OC, maximum. Fastened to interior substrate with fasteners as per the manufacturer's installation instructions. Additional girts required maximum 250 mm above each opening.

■ **7. Component for Combustible Exterior Wall Cladding Systems** — (FWFLC). Prefabricated, steel skinned, foamed plastic building panels, maximum 150 mm thick. Panels secured to structural steel using self-drilling, self-tapping screws. Cladding shall be installed as per the manufacturer's installation instructions. The cavity between the panel and the building surface shall be a maximum of 150 mm.

NORBEC ARCHITECTURAL — NOREX-L, NOREX-H

8. **Fasteners** — 6 mm - 28, self-drilling, self-tapping steel screws and prefabricated steel angles used to connect panels to structural steel. Installed as per the manufacturer's installation instructions. Minimum of one fastener and plate at every location where the panel intersects with structural steel.

Copyright © 2015 Underwriters Laboratories of Canada Inc.

When the UL Leaf Mark is on the product, or when the word "Environment" is included in the UL Mark, please search the [UL Environment database](#) for additional information regarding this product's certification.

The appearance of a company's name or product in this database does not in itself assure that products so identified have been manufactured under ULC's Follow-Up Service. Only those products bearing the ULC Mark should be considered to be Listed and covered under ULC's Follow-Up Service. Always look for the Mark on the product.

ULC permits the reproduction of the material contained in the ULC Online Directories subject to the following conditions: 1. The Guide Information, Designs and/or Listings (files) must be presented in their entirety and in a non-misleading manner, without any manipulation of the data (or drawings). 2. The statement "Reprinted from the ULC Online Directories with permission from Underwriters Laboratories of Canada Inc." must appear adjacent to the extracted material. In addition, the reprinted material must include a copyright notice in the following format: "Copyright © 2015 Underwriters Laboratories of Canada Inc."

An independent organization working for a safer world with integrity, precision and knowledge.

