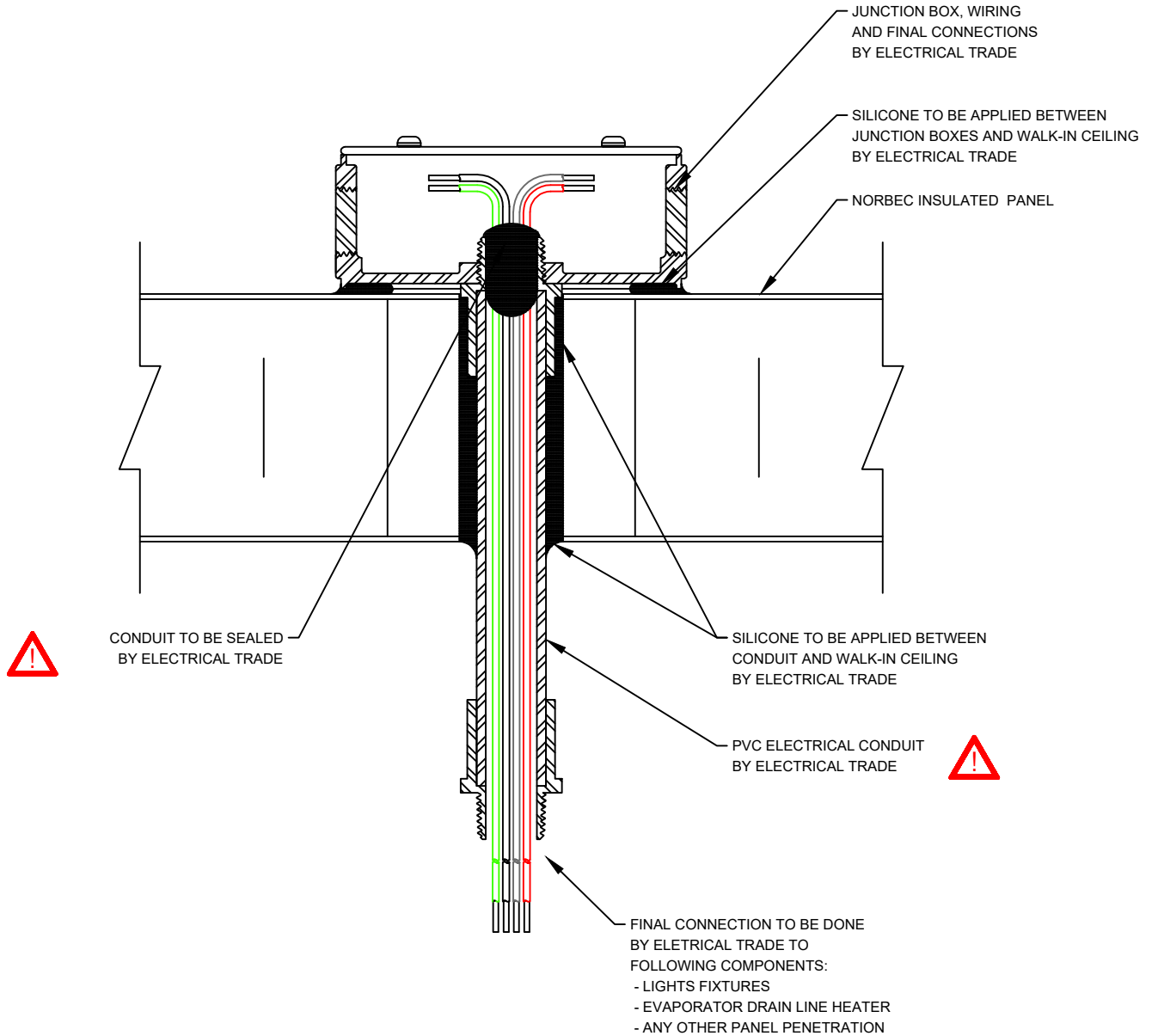


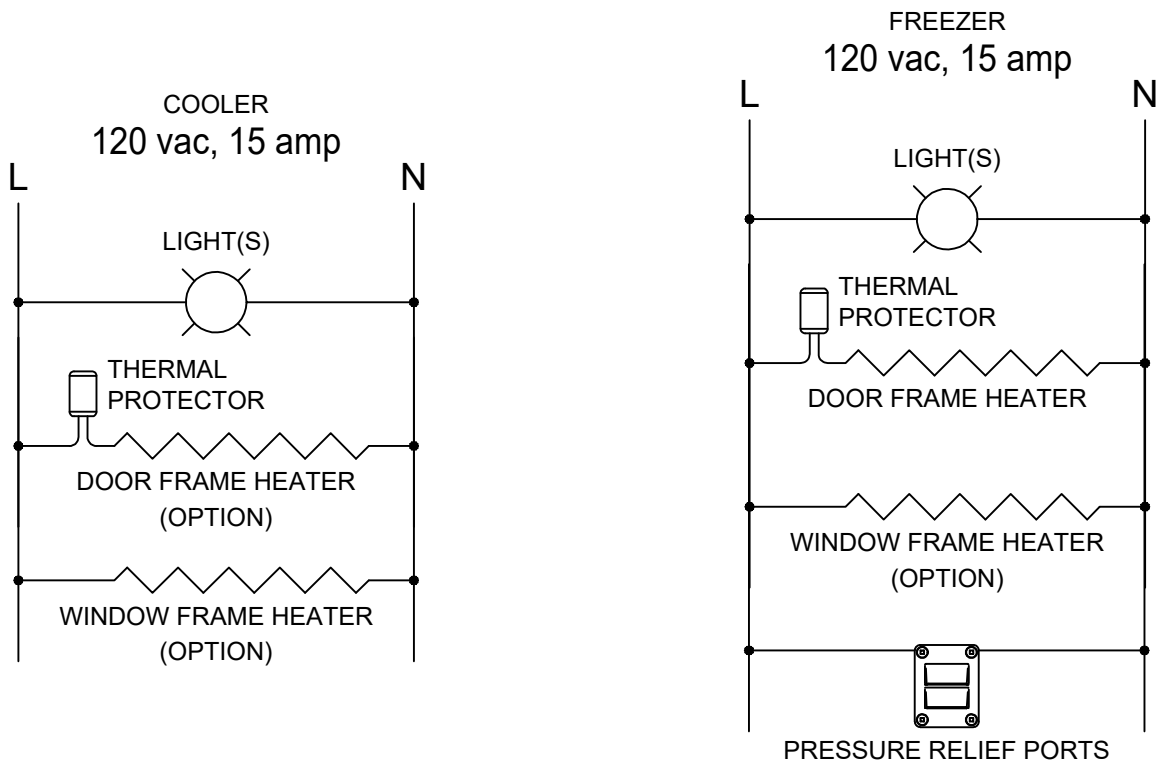


97 rue de Vaudreuil  
Boucherville QC Canada J4B 1K7  
Tel.: (450) 449-1499 Fax: (450) 641-4657  
Toll Free : 1 (877) 667-2321

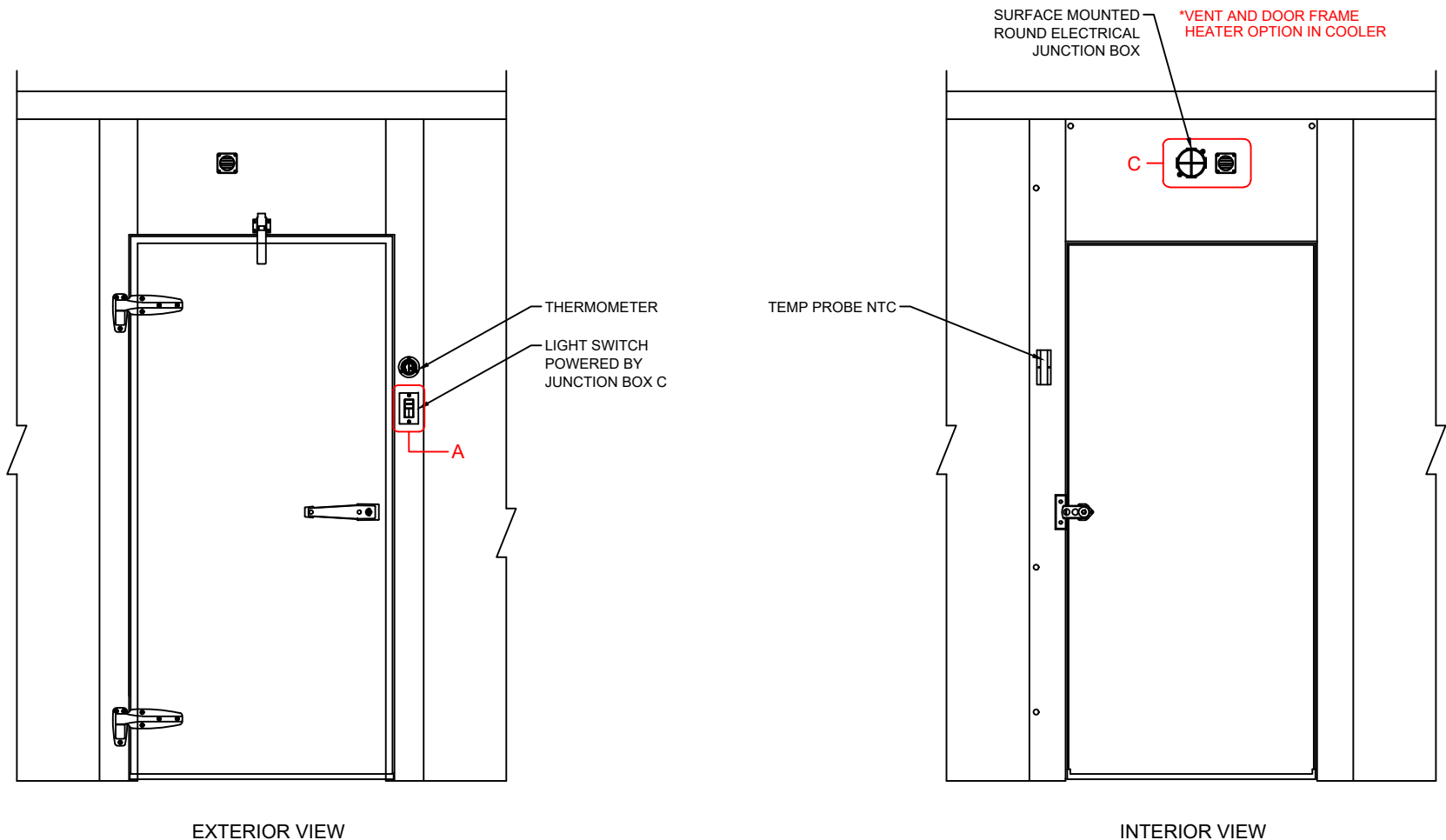
## GUIDELINES FOR SEALING WALK-IN FREEZER / COOLER ELECTRICAL COMPONENTS



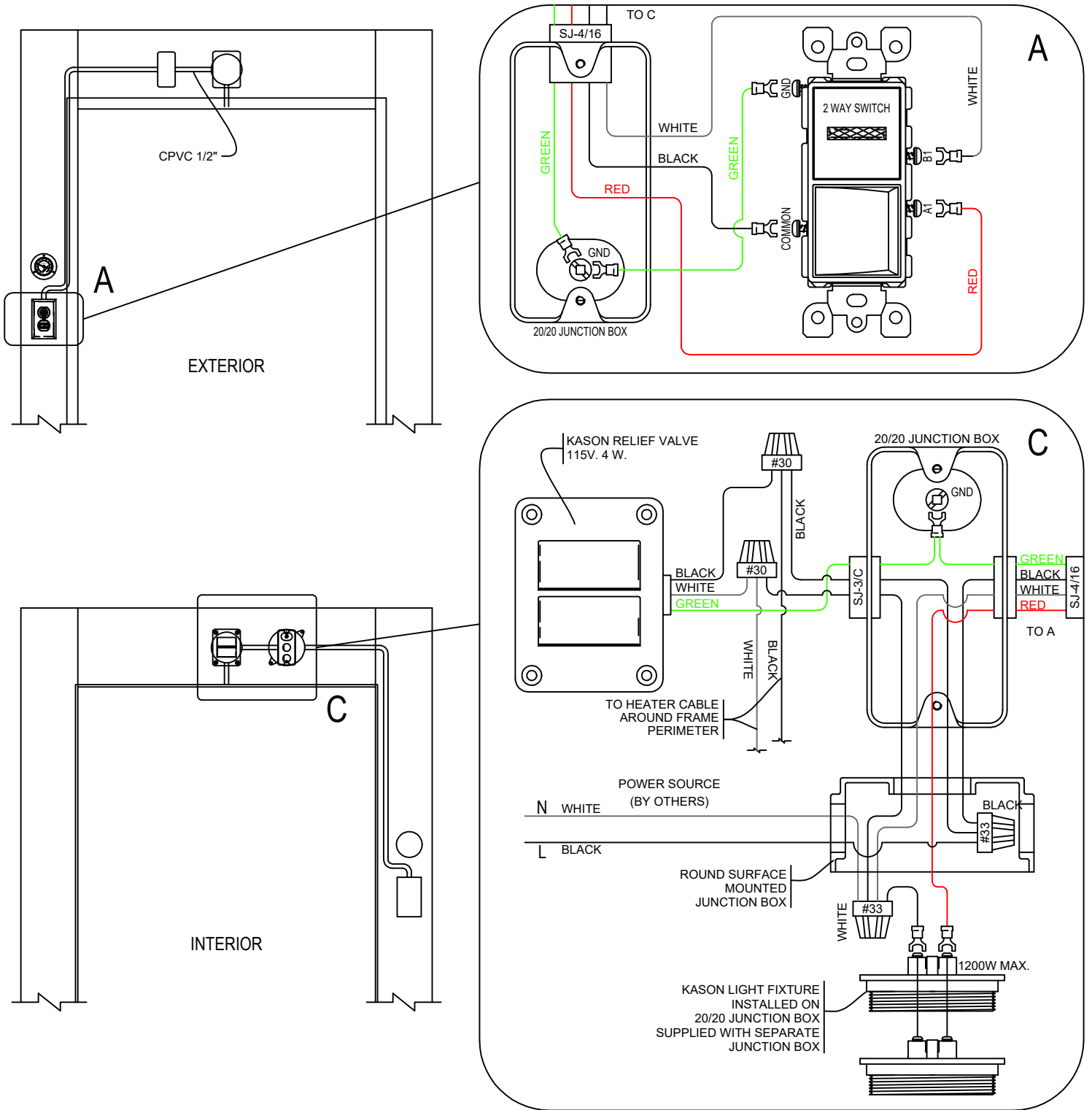
## NORBEC DEFAULT WIRING DIAGRAM



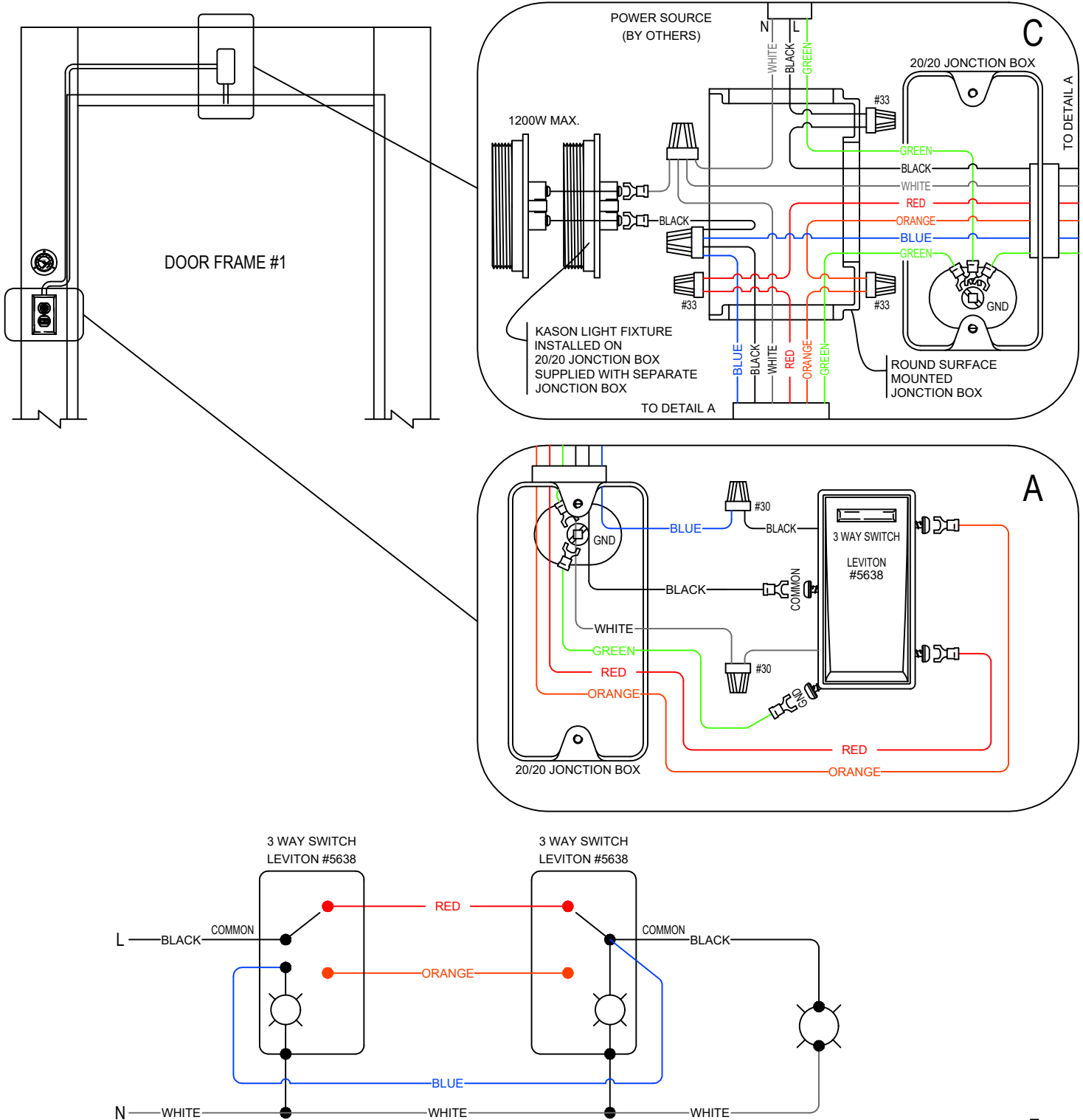
## PILOT SWITCH ELECTRICAL CONNECTION PP-340 DOOR FRAME



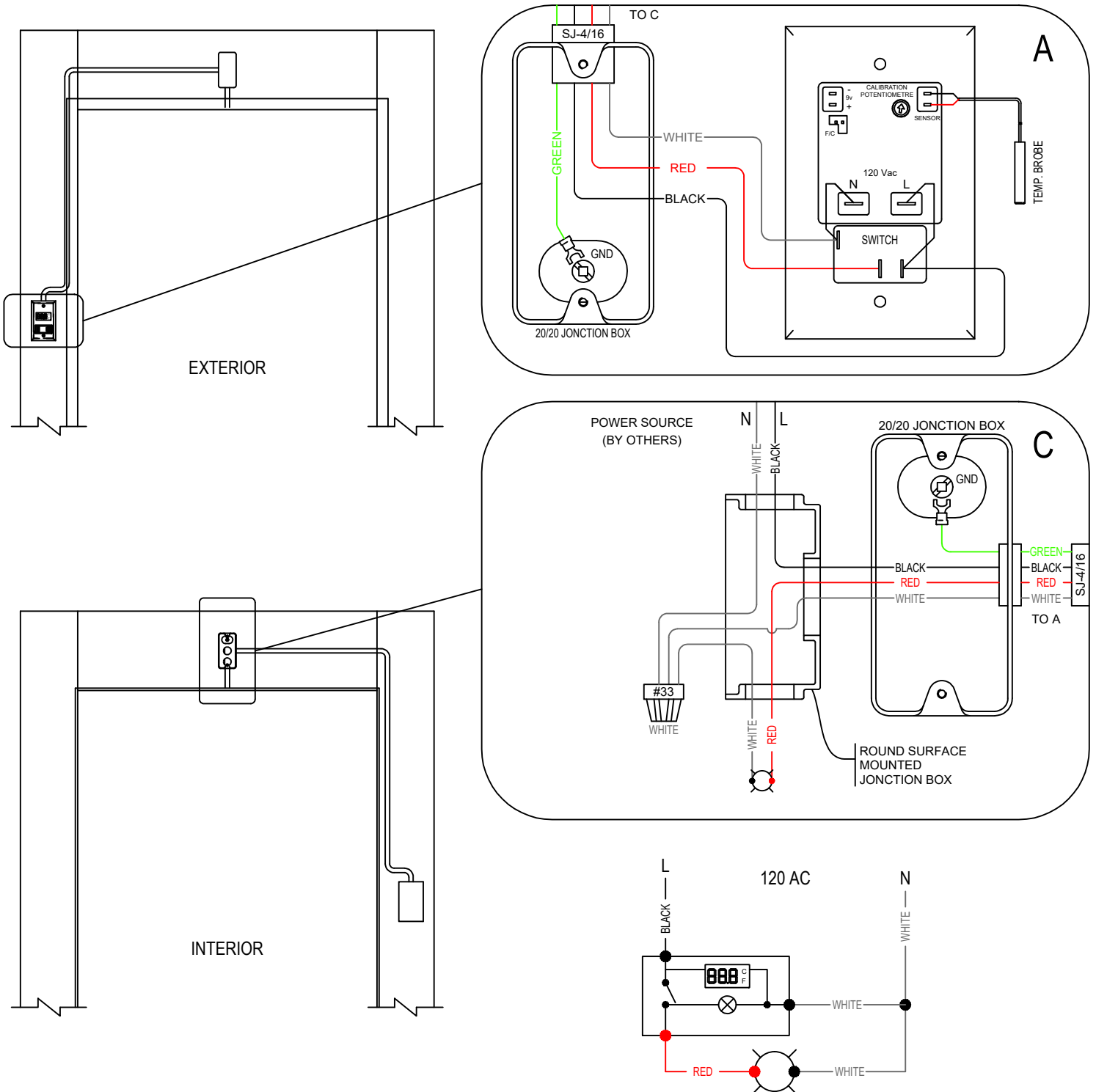
## PP-340 FRAME PANEL ELECTRICAL CONNECTION



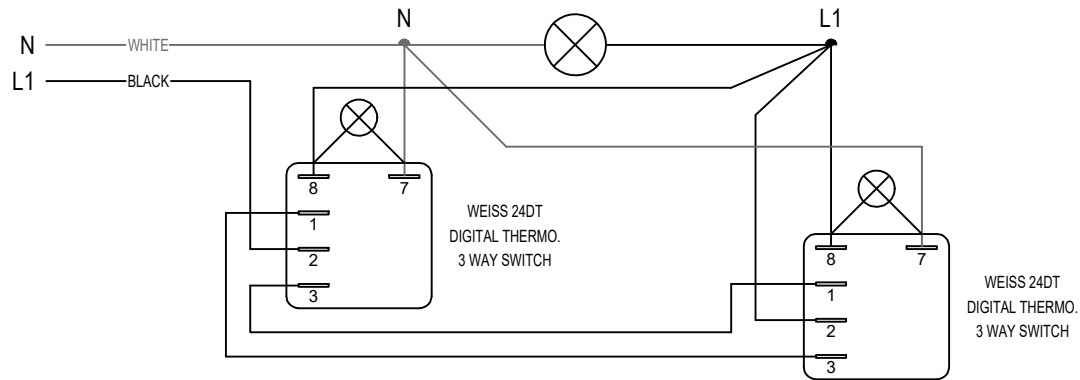
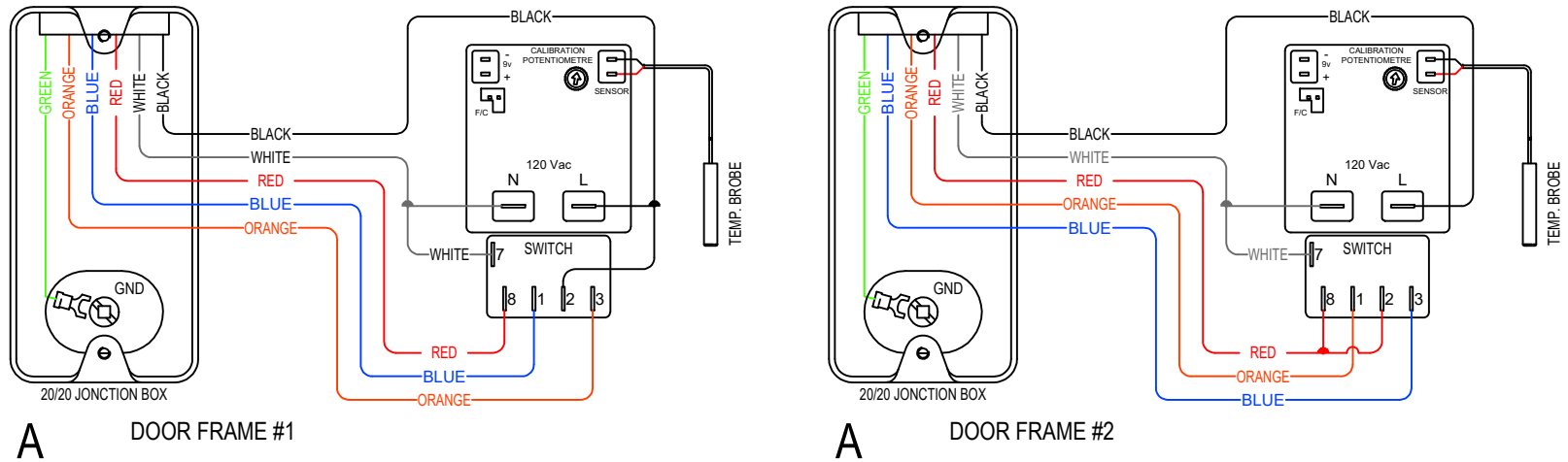
## PP-340 - 3 Ways FRAME PANEL ELECTRICAL CONNECTION



## WEISS 24DT (2 Ways) DIGITAL THERMOMETER ELECTRICAL CONNECTION



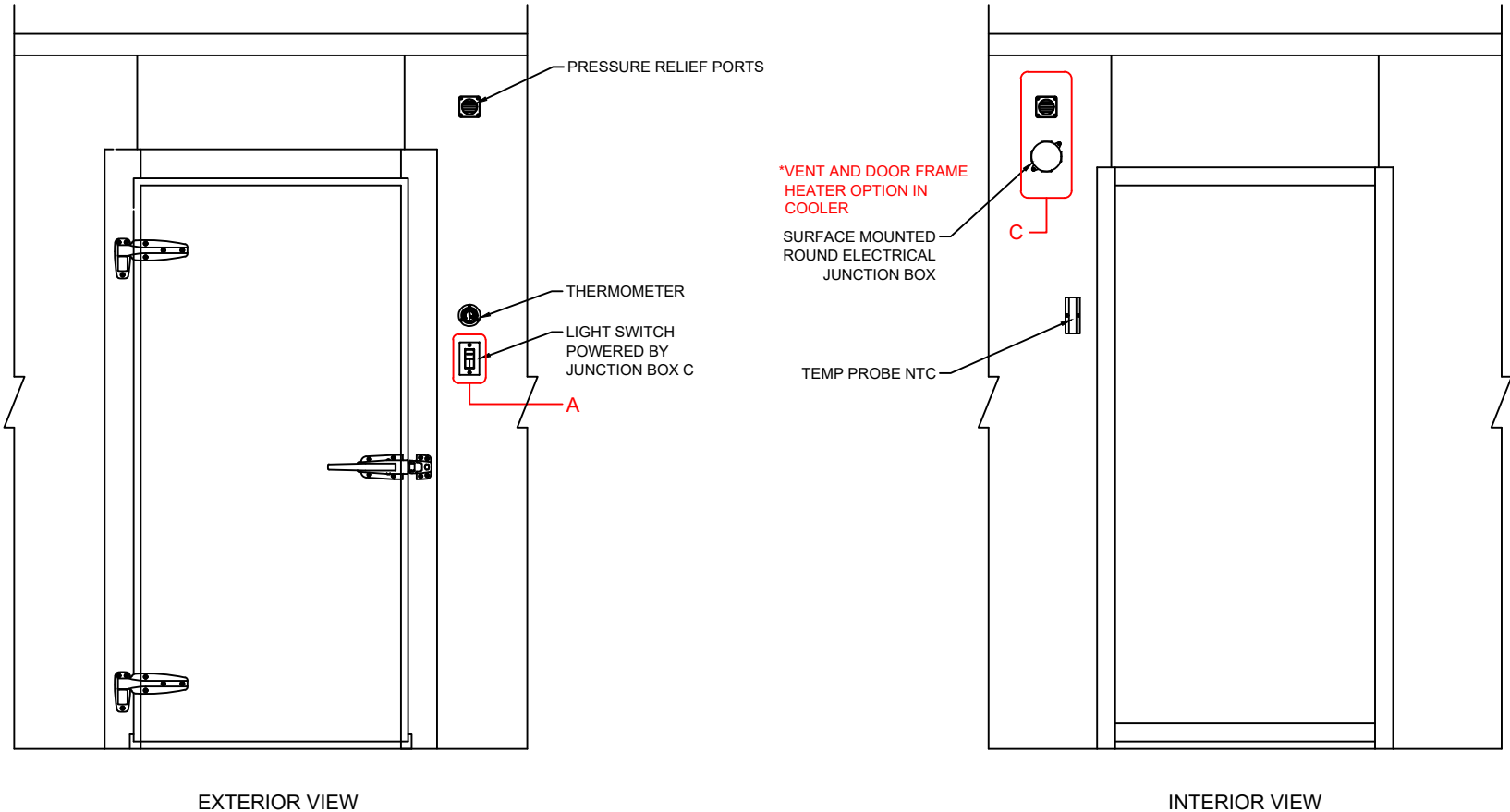
## WEISS 24DT (3 Ways) DIGITAL THERMOMETER ELECTRICAL CONNECTION



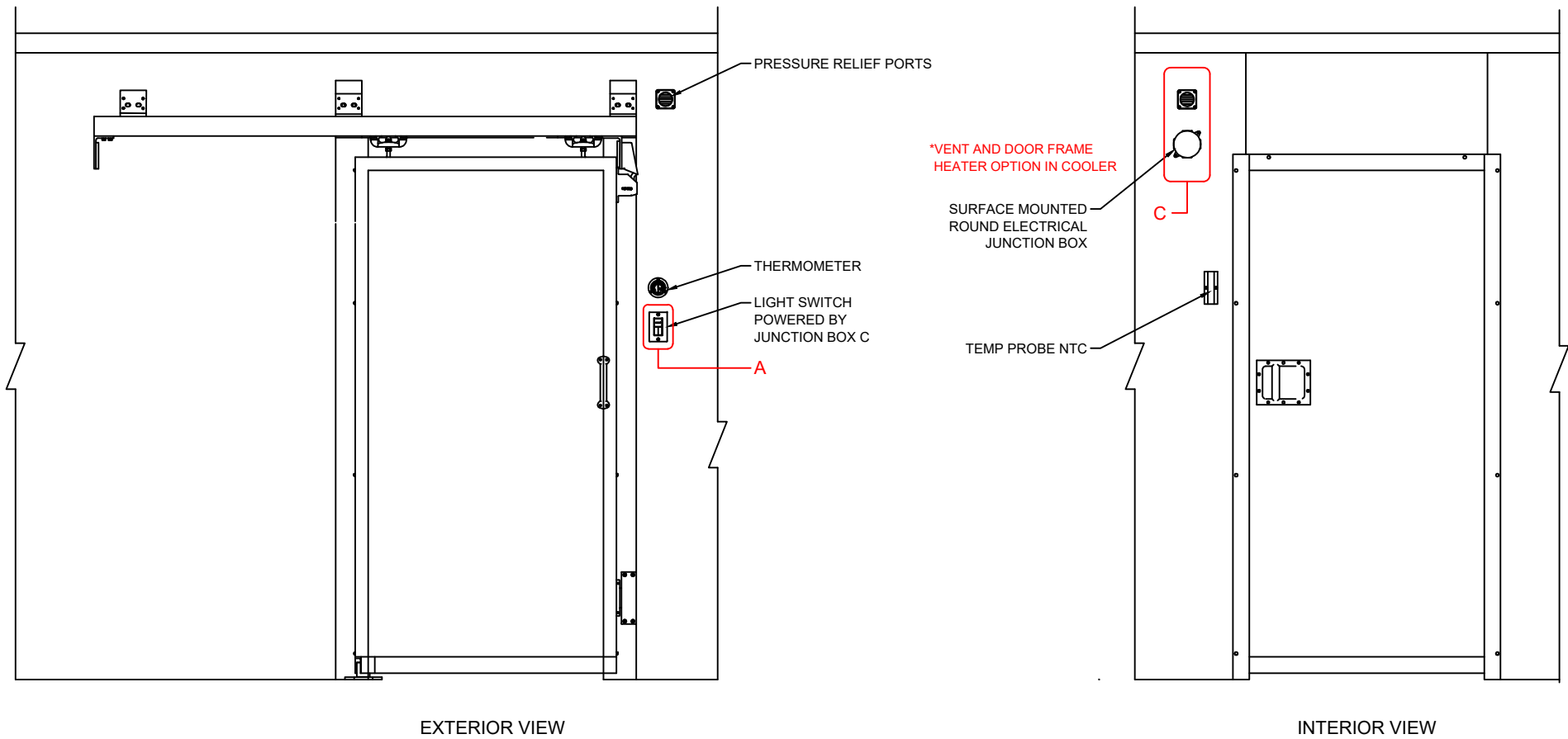
"A" JUNCTION



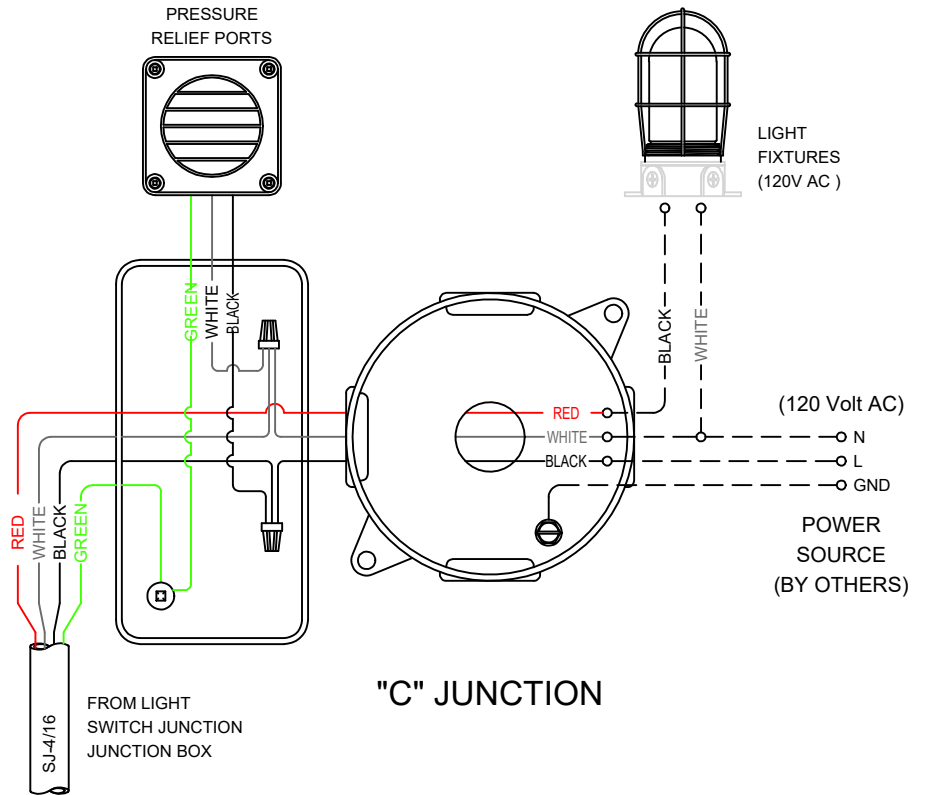
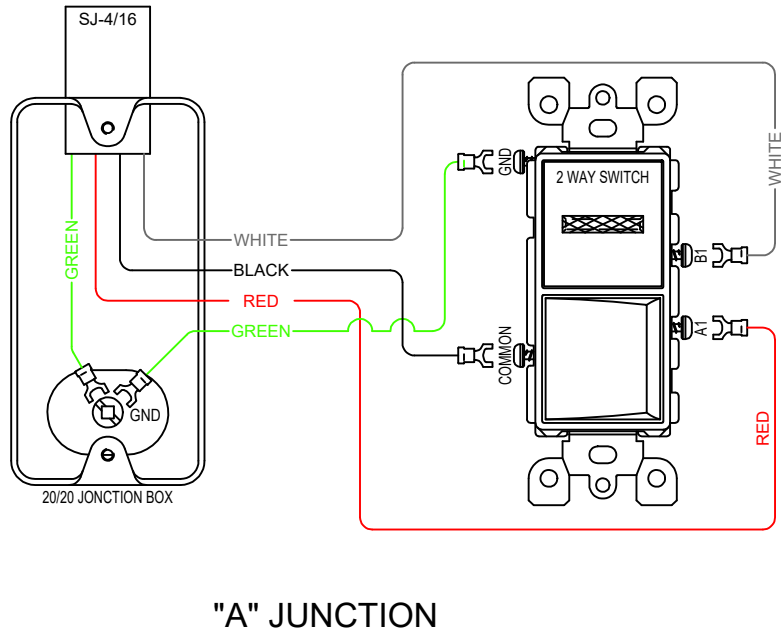
## PILOT SWITCH ELECTRICAL CONNECTION FOR PL-1750 FRAME



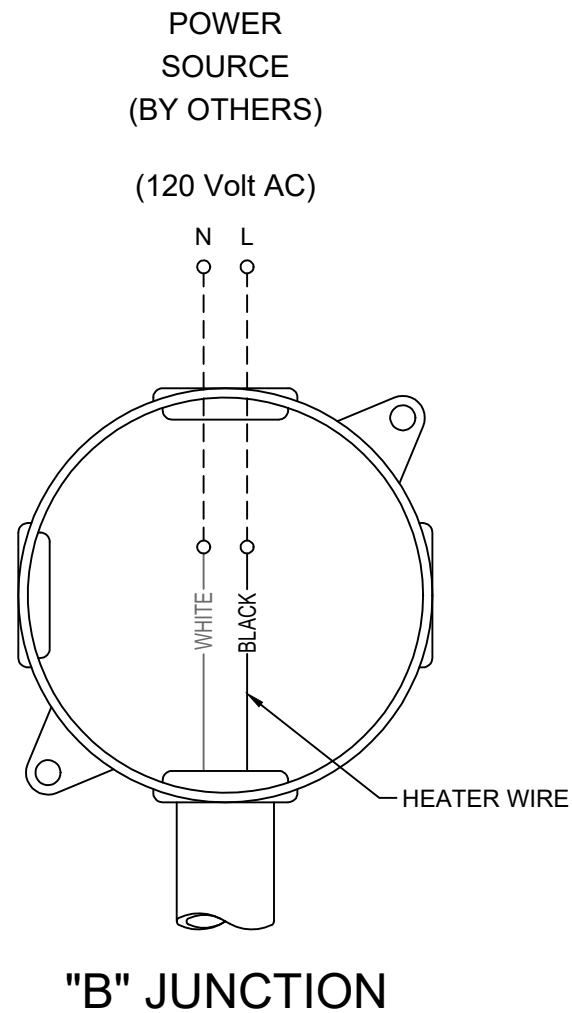
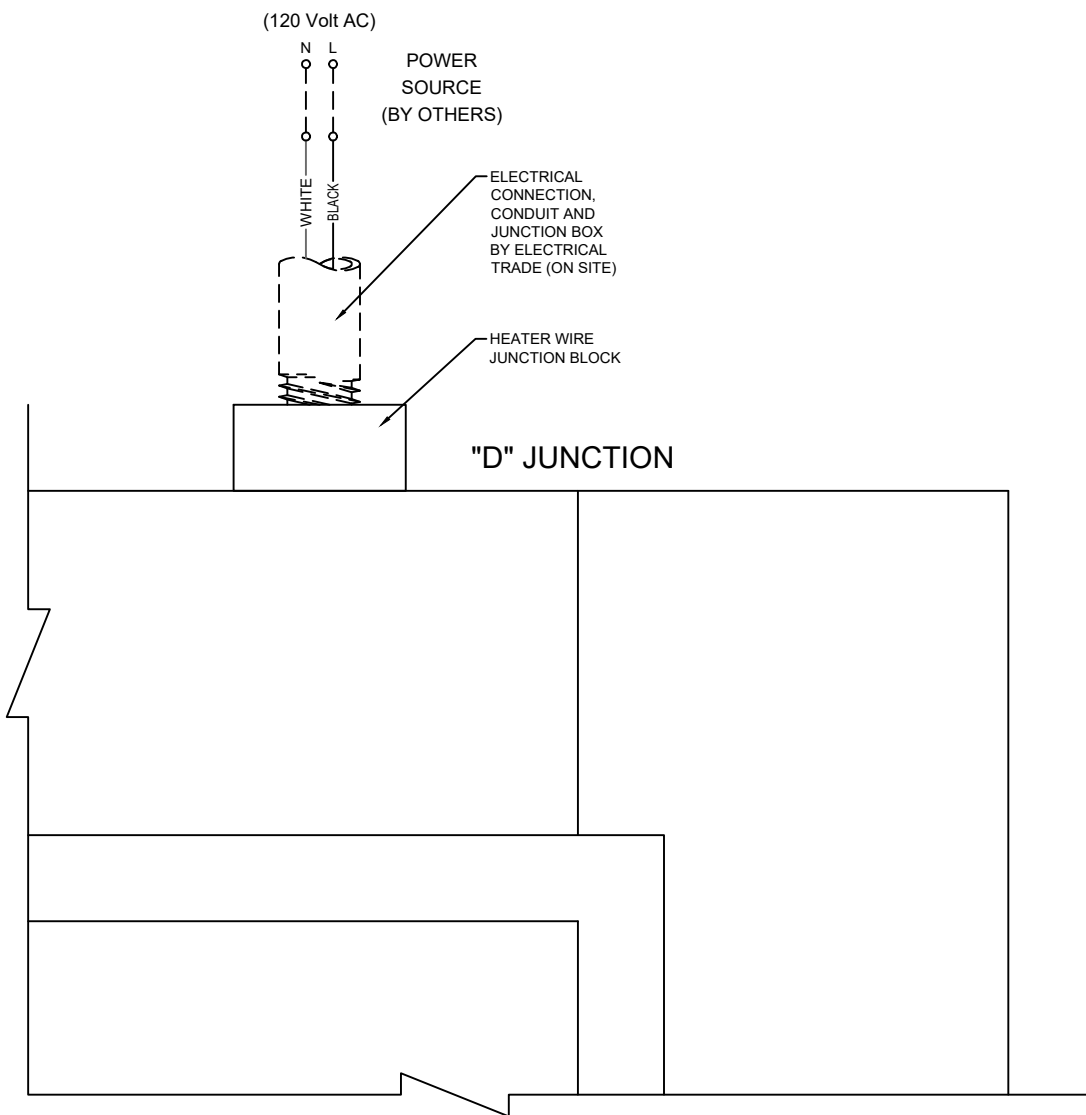
## PILOT SWITCH ELECTRICAL CONNECTION FOR CL-1750 FRAME



## PILOT SWITCH ELECTRICAL CONNECTION FOR L-1750 FRAME

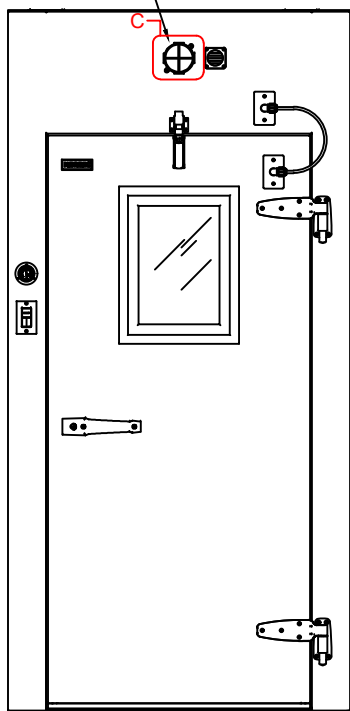


## HEATER WIRE ELECTRICAL CONNECTION



## HEATED OPTION ELECTRICAL CONNECTION

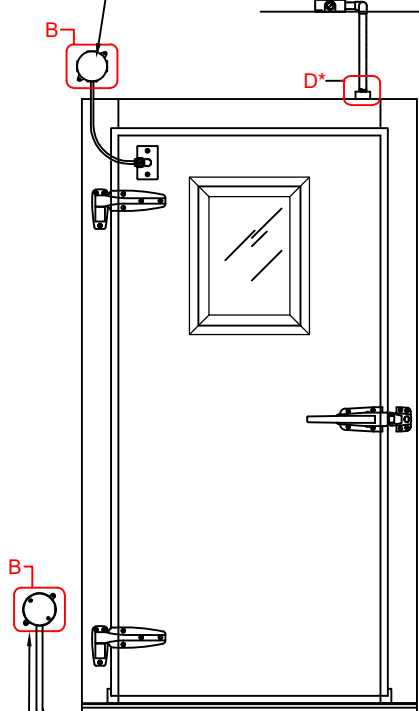
ELECTRICAL CONNECTION  
AND JUNCTION BOX  
(BY ELECTRICAL TRADE)



PP door

POWER SUPPLY  
HEATED WINDOW  
BY ELECTRICAL TRADE

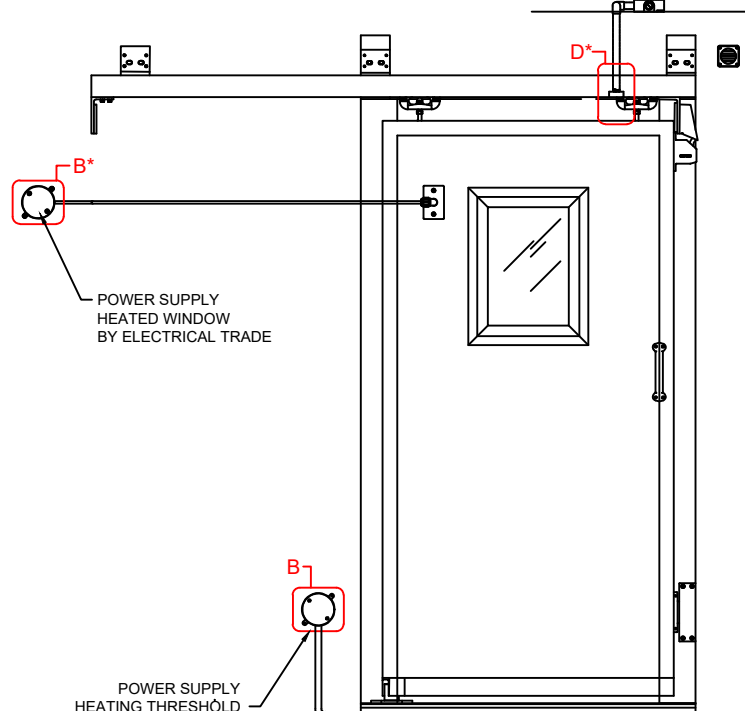
ELECTRICAL CONNECTION  
AND JUNCTION BOX  
(BY ELECTRICAL TRADE)



PL door

POWER SUPPLY  
HEATED THRESHOLD  
BY ELECTRICAL TRADE

ELECTRICAL CONNECTION  
AND JUNCTION BOX  
(BY ELECTRICAL TRADE)

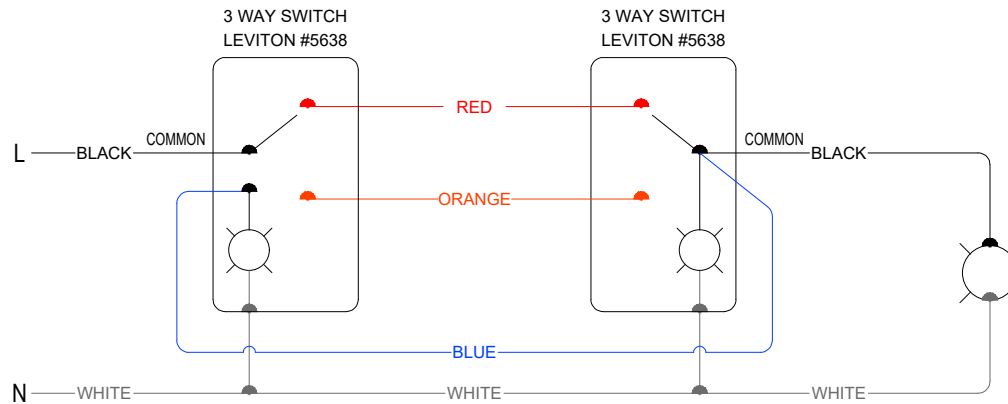
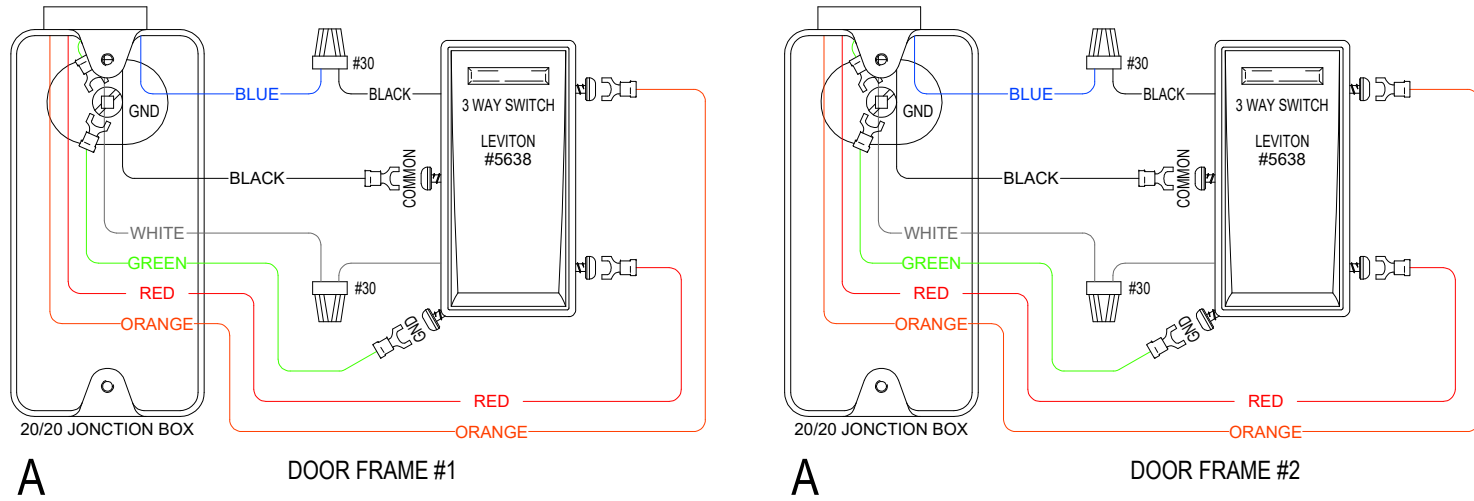


CL door

POWER SUPPLY  
HEATED WINDOW  
BY ELECTRICAL TRADE

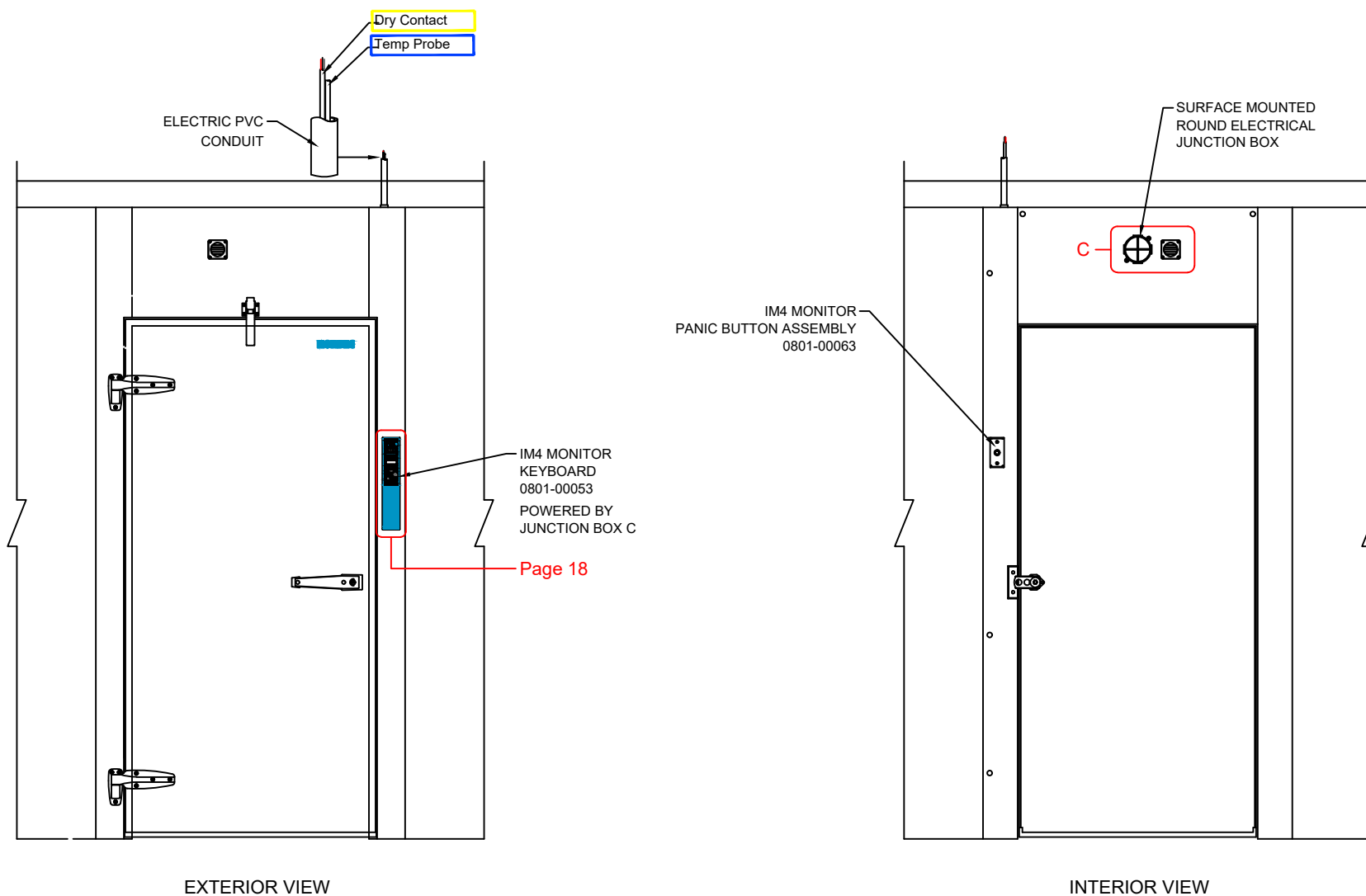
POWER SUPPLY  
HEATING THRESHOLD  
BY ELECTRICAL TRADE

## 3 WAY PILOT SWITCH ELECTRICAL CONNECTION FOR L-1750 FRAME

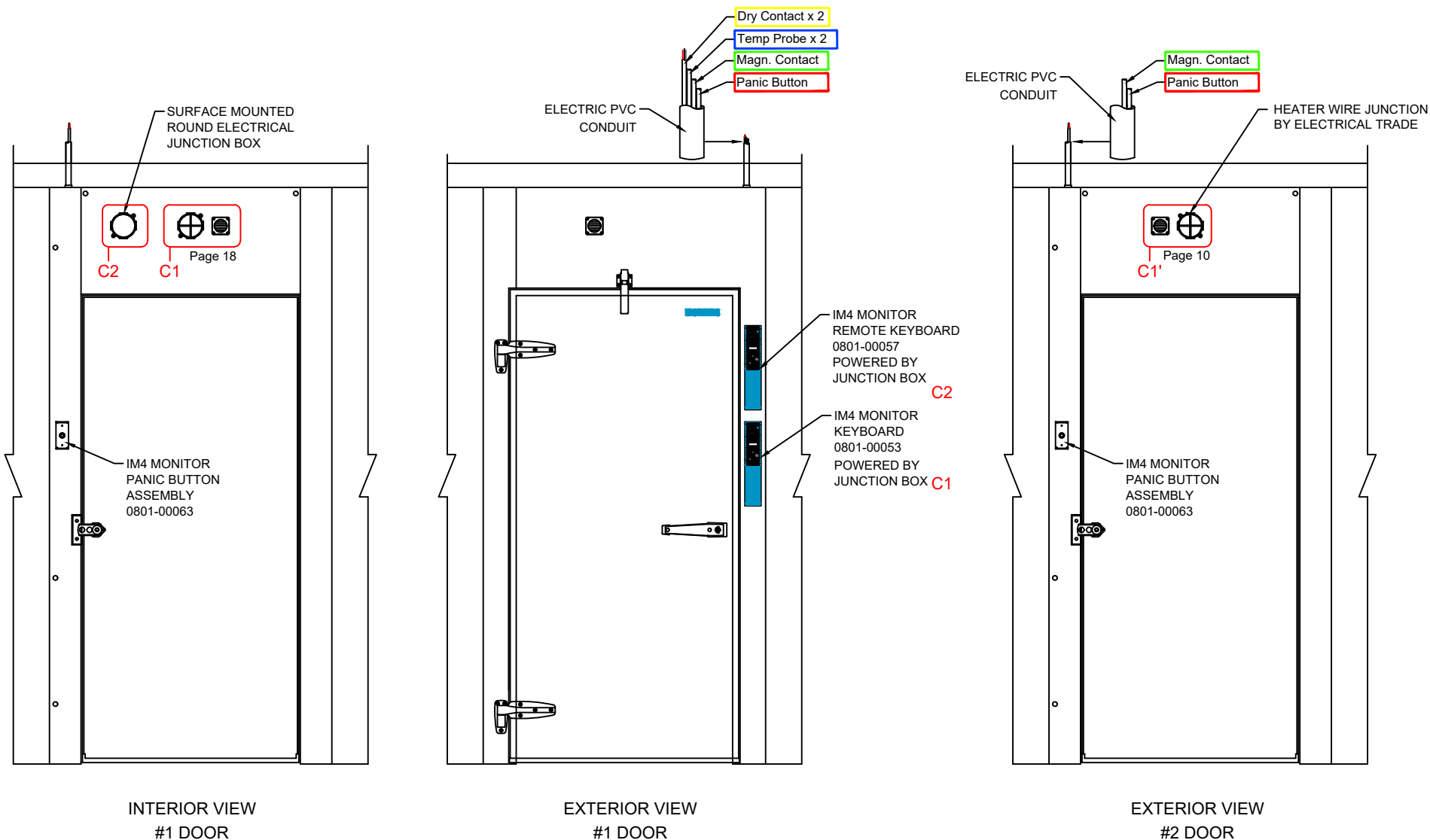


"A" JUNCTION

## IM4 MONITOR TEMP. PROBE AND DRY CONTACT CONNECTION PP-340 DOOR FRAME

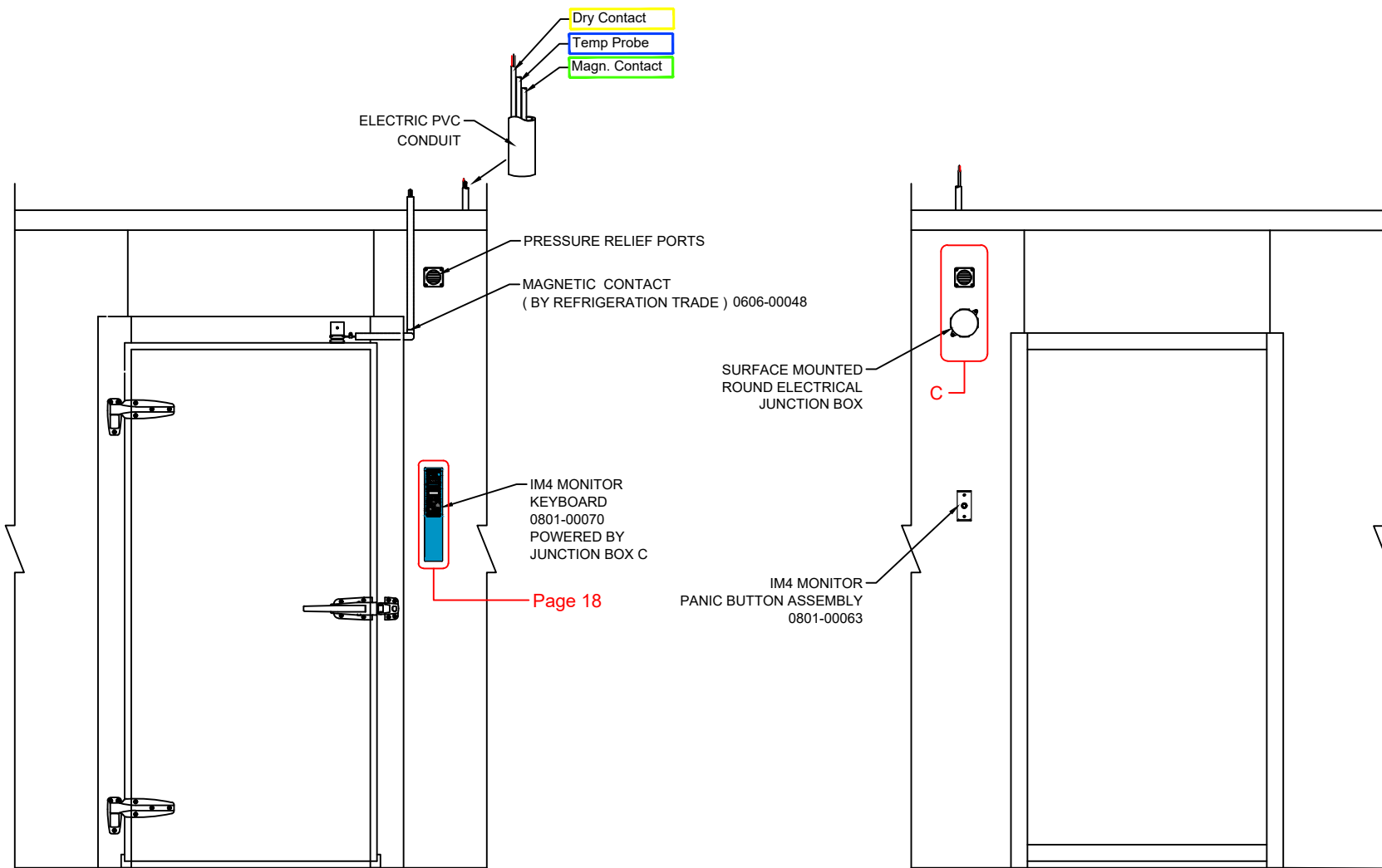


## IM4 COMBO INTERCONNECTION ELECTRICAL CONNECTION PP-340 DOOR FRAME





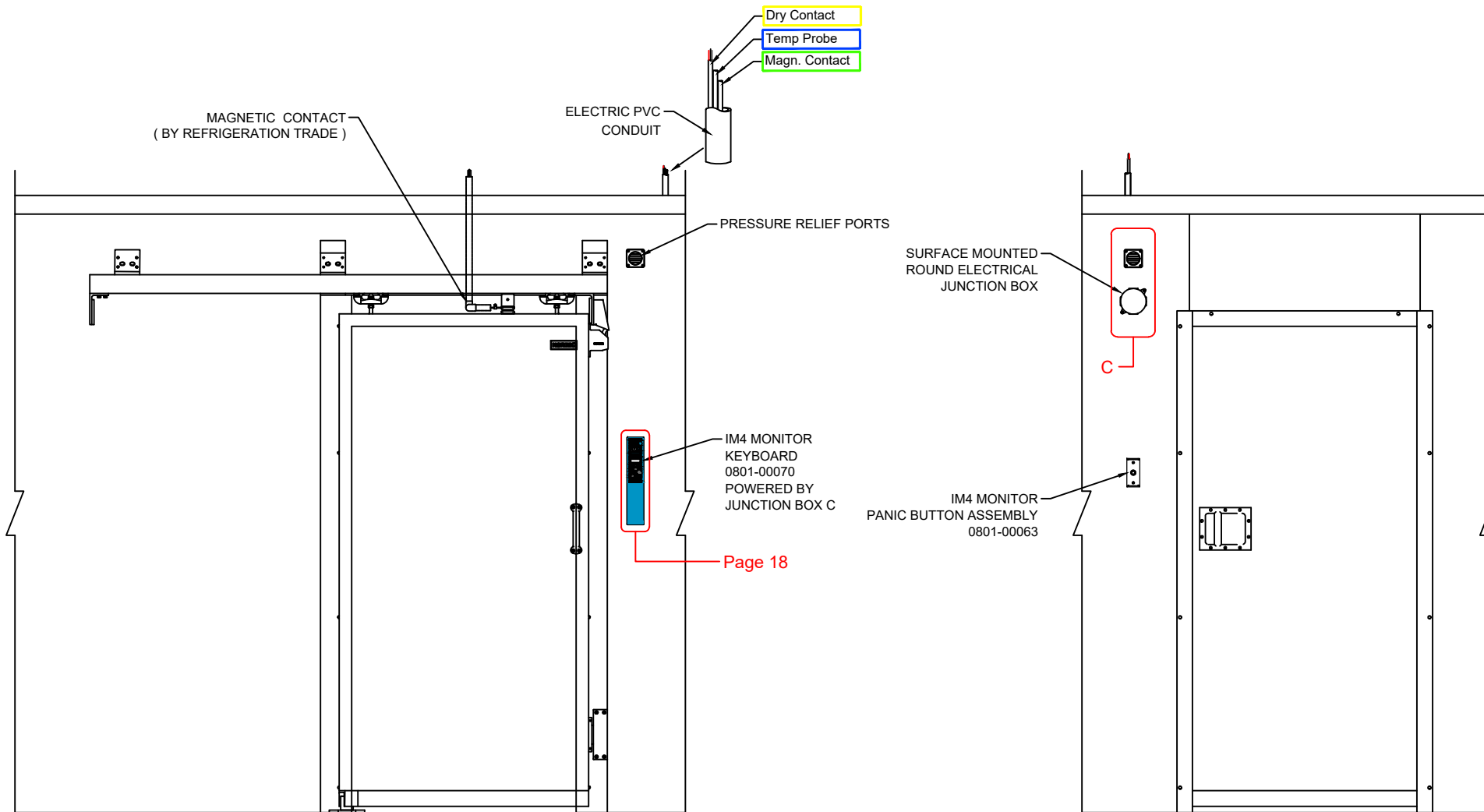
## IM4 MONITOR ELECTRICAL CONNECTION PL-1750 DOOR FRAME



EXTERIOR VIEW

INTERIOR VIEW

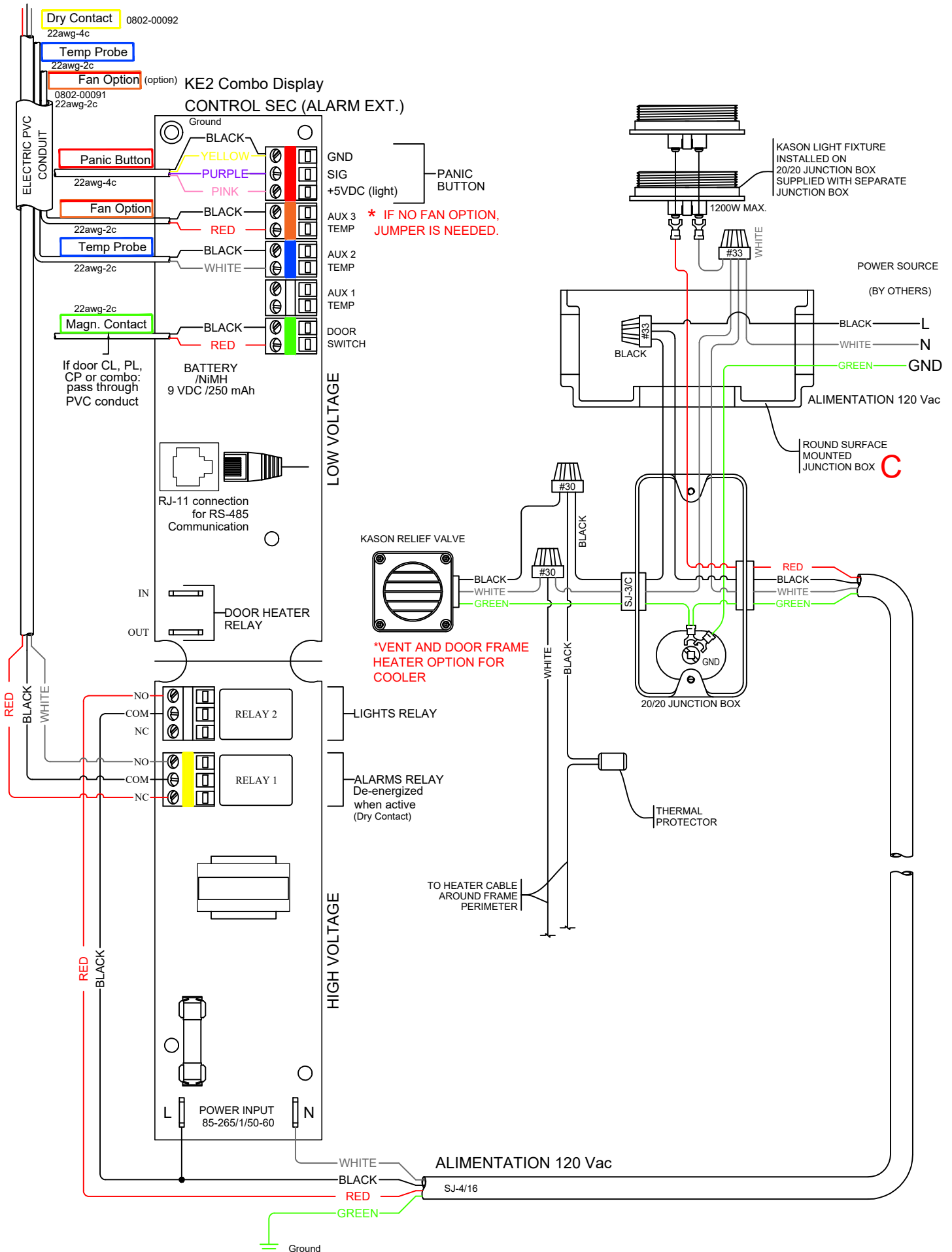
## IM4 MONITOR ELECTRICAL CONNECTION CL-1750 DOOR FRAME



EXTERIOR VIEW

INTERIOR VIEW

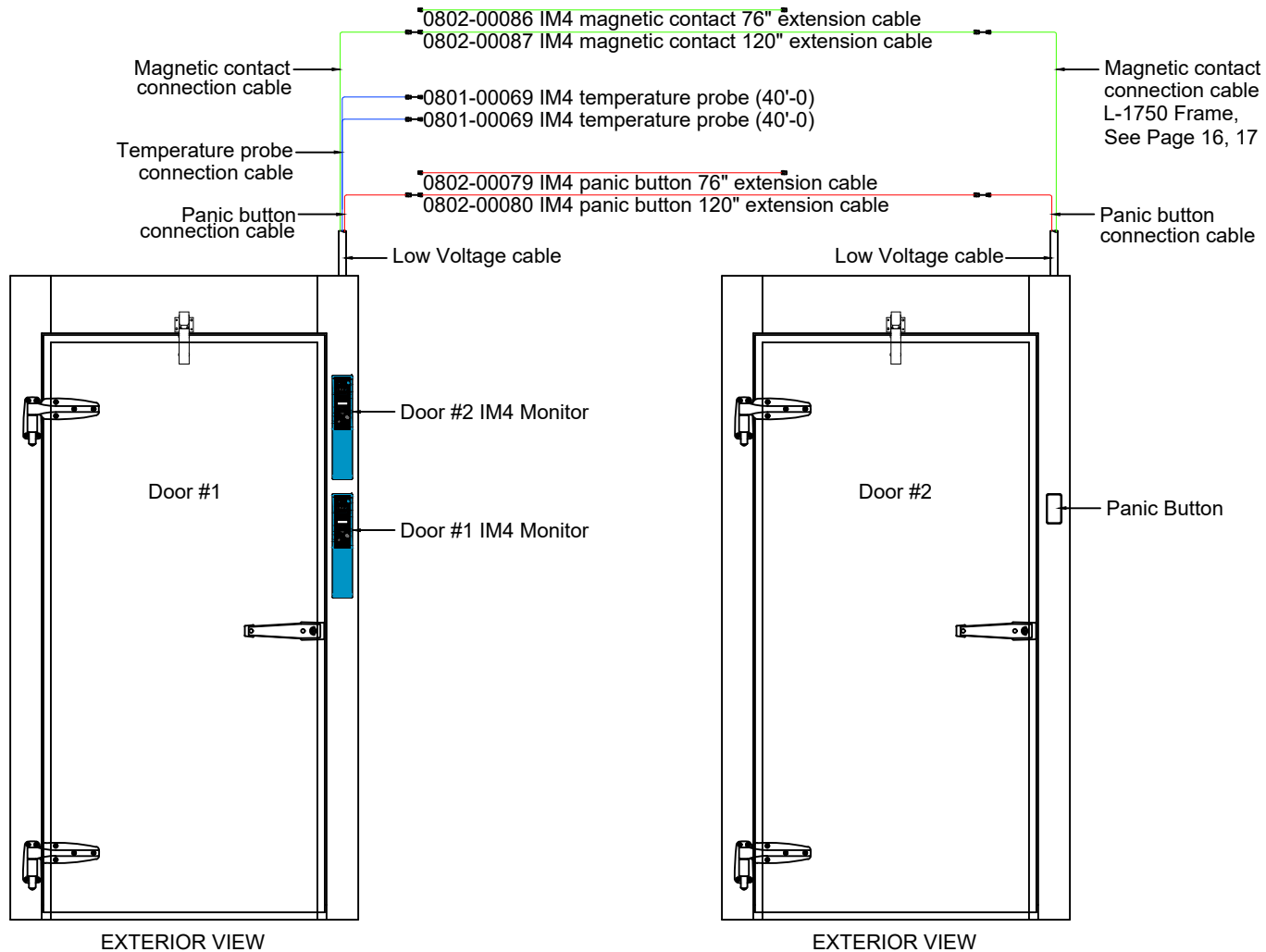
# IM4 MONITOR ELECTRICAL CONNECTION



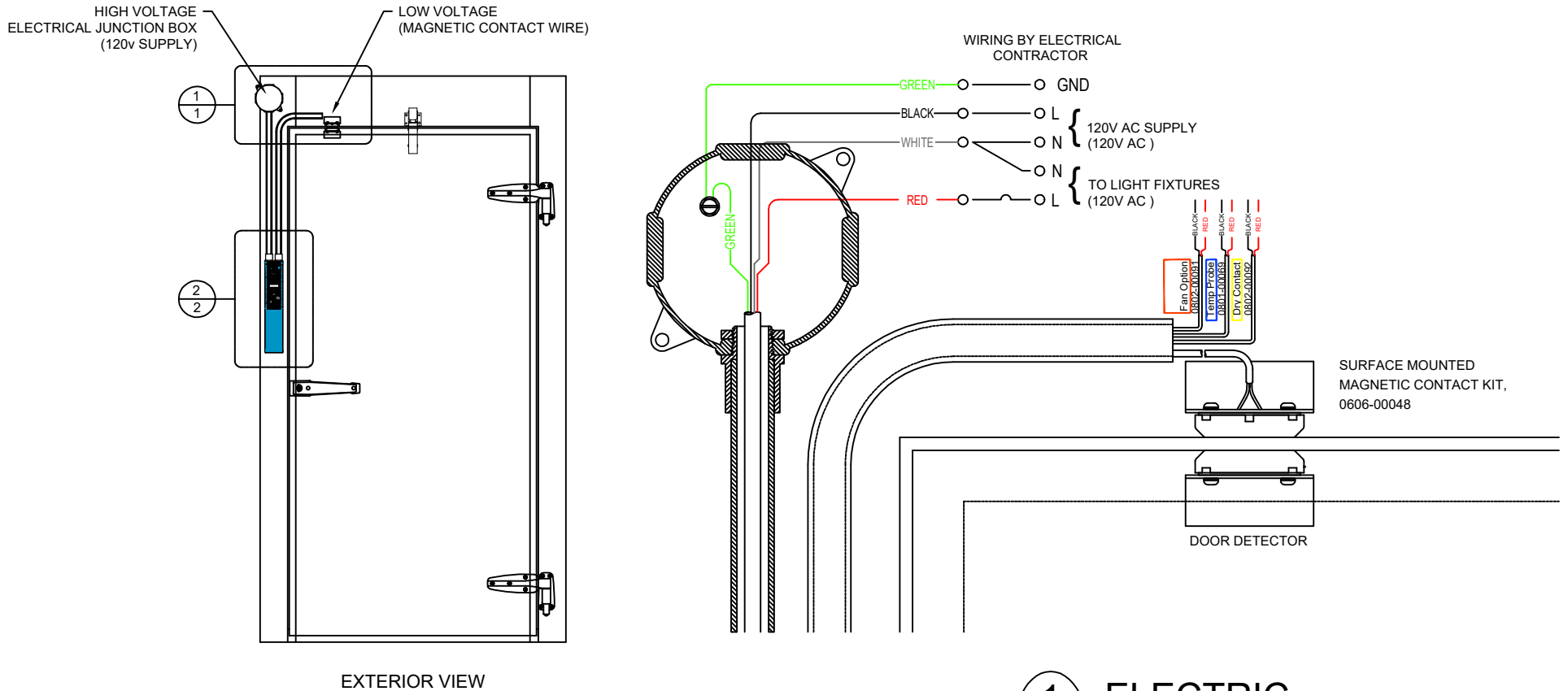


# PANEL DOOR REMOTE MOUNTED IM4 MONITOR EXTENSION CABLE CONNECTION

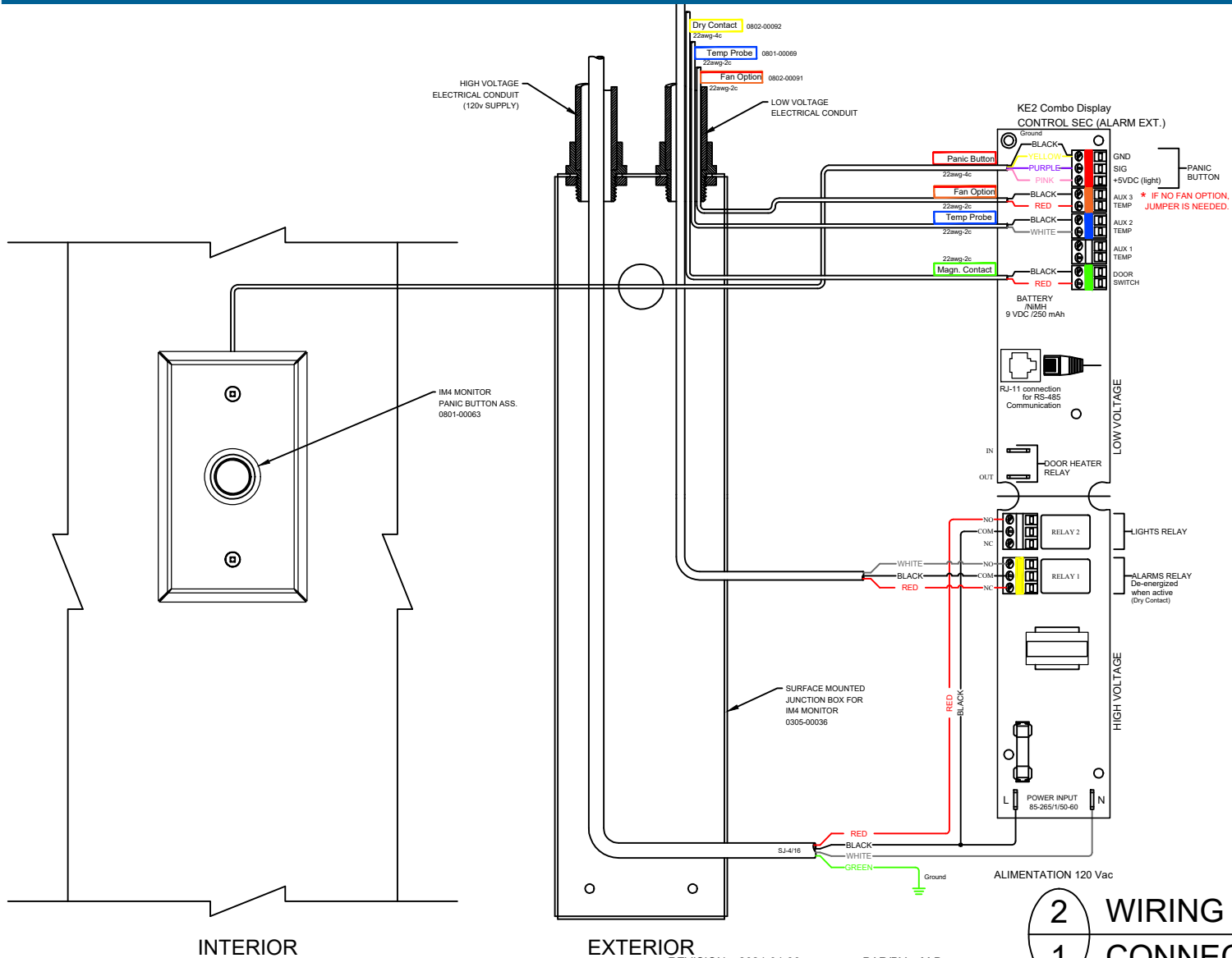
On site, during installation:  
Select the length of wiring (76 "or 120") best suited to the distance between door # 1 and door # 2.



## SURFACE MOUNTED IM4 MONITOR ELECTRICAL CONNECTION



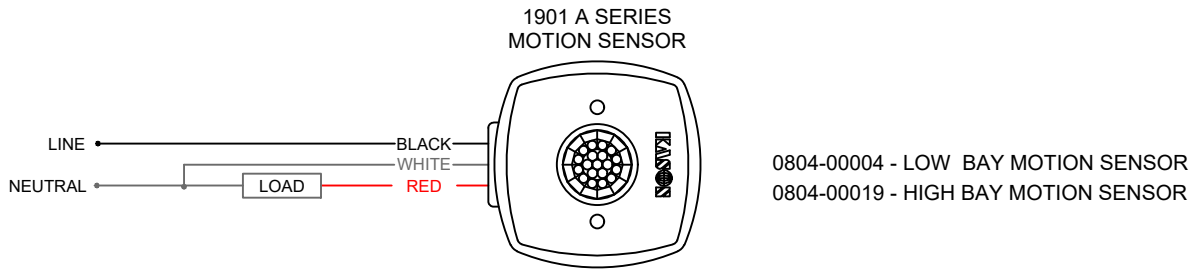
## SURFACE MOUNTED IM4 MONITOR ELECTRICAL CONNECTION PL-1750 DOOR FRAME





WHEN THERE ARE MORE THAN 2 IM4 MONITORS ON A COLD ROOM, A MOTION SENSOR IS MANDATORY.  
 - DO NOT CONNECT THE RED WIRE FROM THE LIGHT RELAY OF THE IM4 MONITOR.  
 - THE POWER SUPPLY FOR THE MOTION SENSOR AND LIGHT MUST BE INDEPENDENT OF THE IM4 MONITOR.

### SINGLE SENSOR WIRING



### PARALLEL SENSORS WIRING

