



ARCHITECTURAL ELEMENTS | FINS

COMPATIBLE WITH NORBEC
INSULATED METAL PANELS



Give your creative imagination free rein with Norbec architectural elements | fins.

Our three models have been purposefully engineered to offer you a wider range of options and allow you to create your own custom design!

ALIGN FINS



VERTICAL
Compatible with NOREX-H

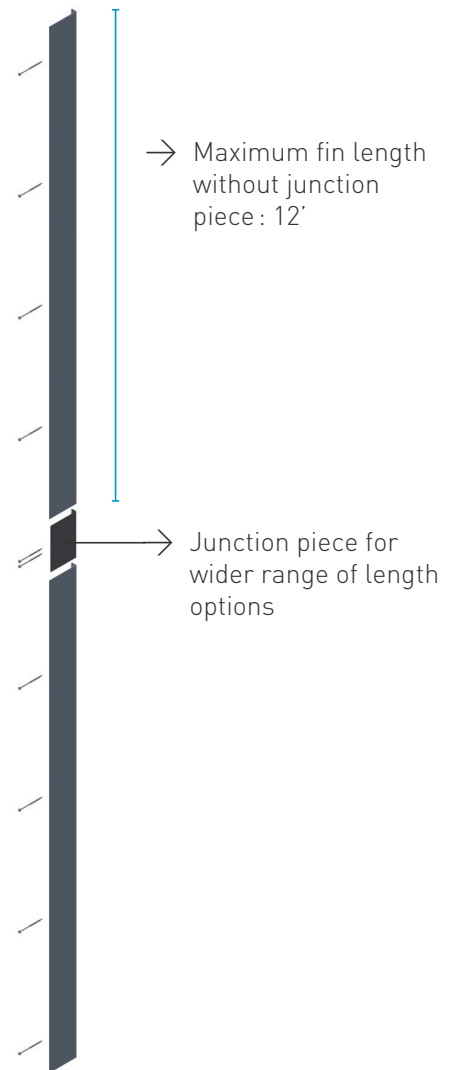
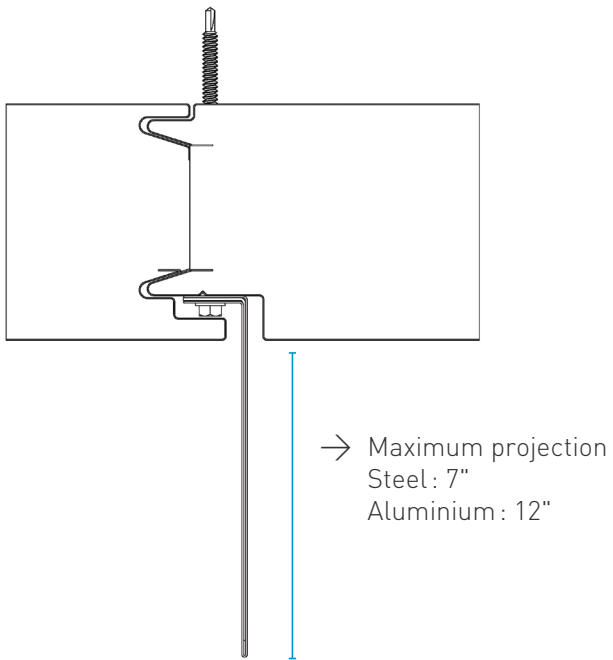


HORIZONTAL
Compatible with NOREX-H

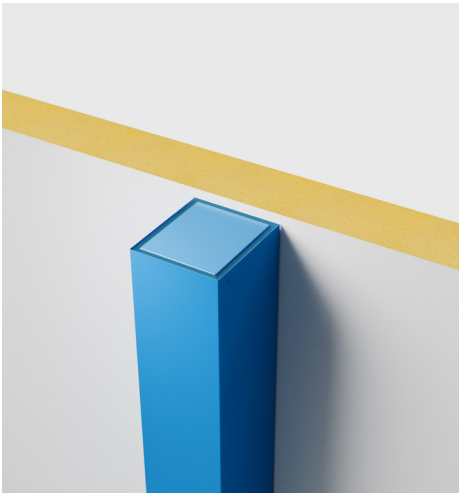
INSPIRATION



Available in steel and aluminum

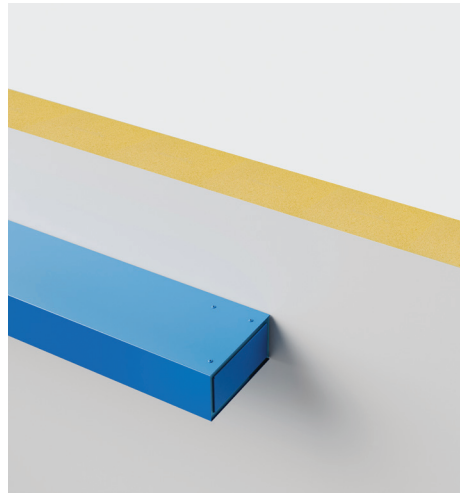


FLEX FINS



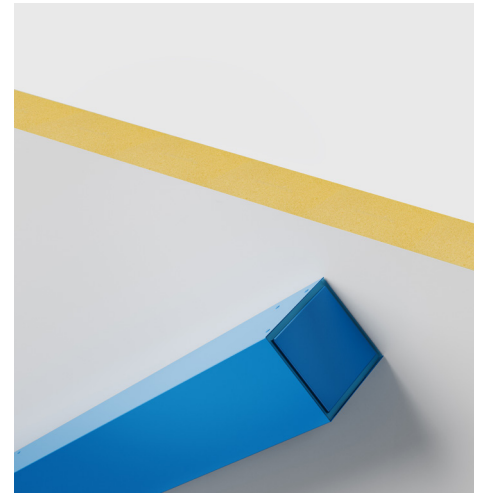
VERTICAL

Compatible with NOREX-H,
NOREX-L, NOREX-M
& NOROC



HORIZONTAL

Compatible with NOREX-H,
NOREX-L, NOREX-M
& NOROC



DIAGONAL

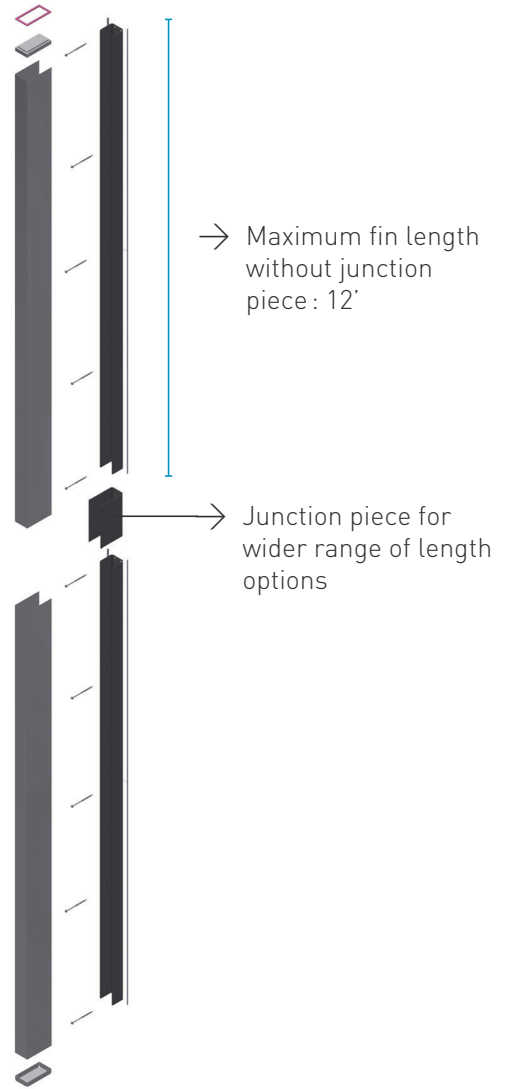
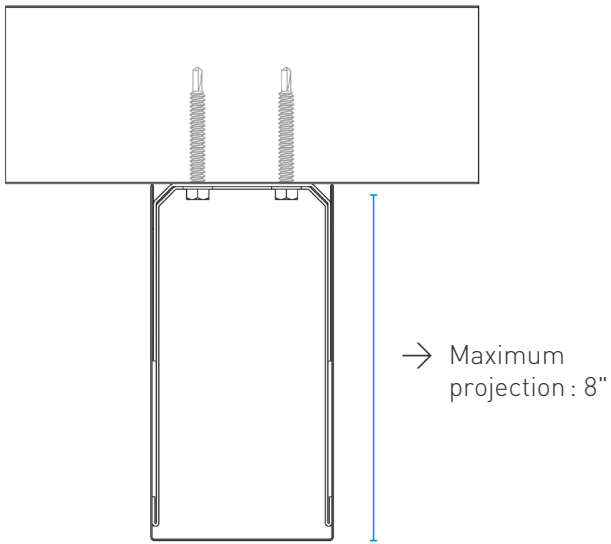
Compatible with NOREX-H,
NOREX-L, NOREX-M
& NOROC

INSPIRATION



TECHNICAL SPECIFICATIONS | FLEX FINS

Available in steel and aluminum



AVAILABLE CONFIGURATIONS

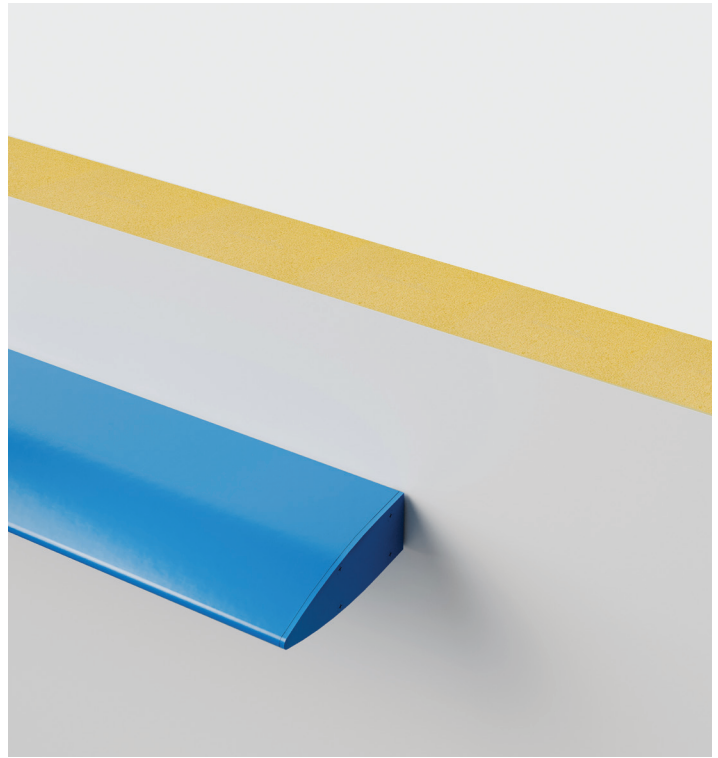
		Projection										
		1.5	2	2.5	3	3.5	4	4.5	5	6	7	8
Width	1.5											
	2											
	2.5											
	3											
	3.5											
	4											
	4.5											
	5											
	6											
	7											
	8											
	9											

VERSA FINS



VERTICAL

Compatible with NOREX-H, NOREX-L, NOREX-M & NOROC



HORIZONTAL | OR DIAGONAL

Compatible with NOREX-H, NOREX-L, NOREX-M & NOROC

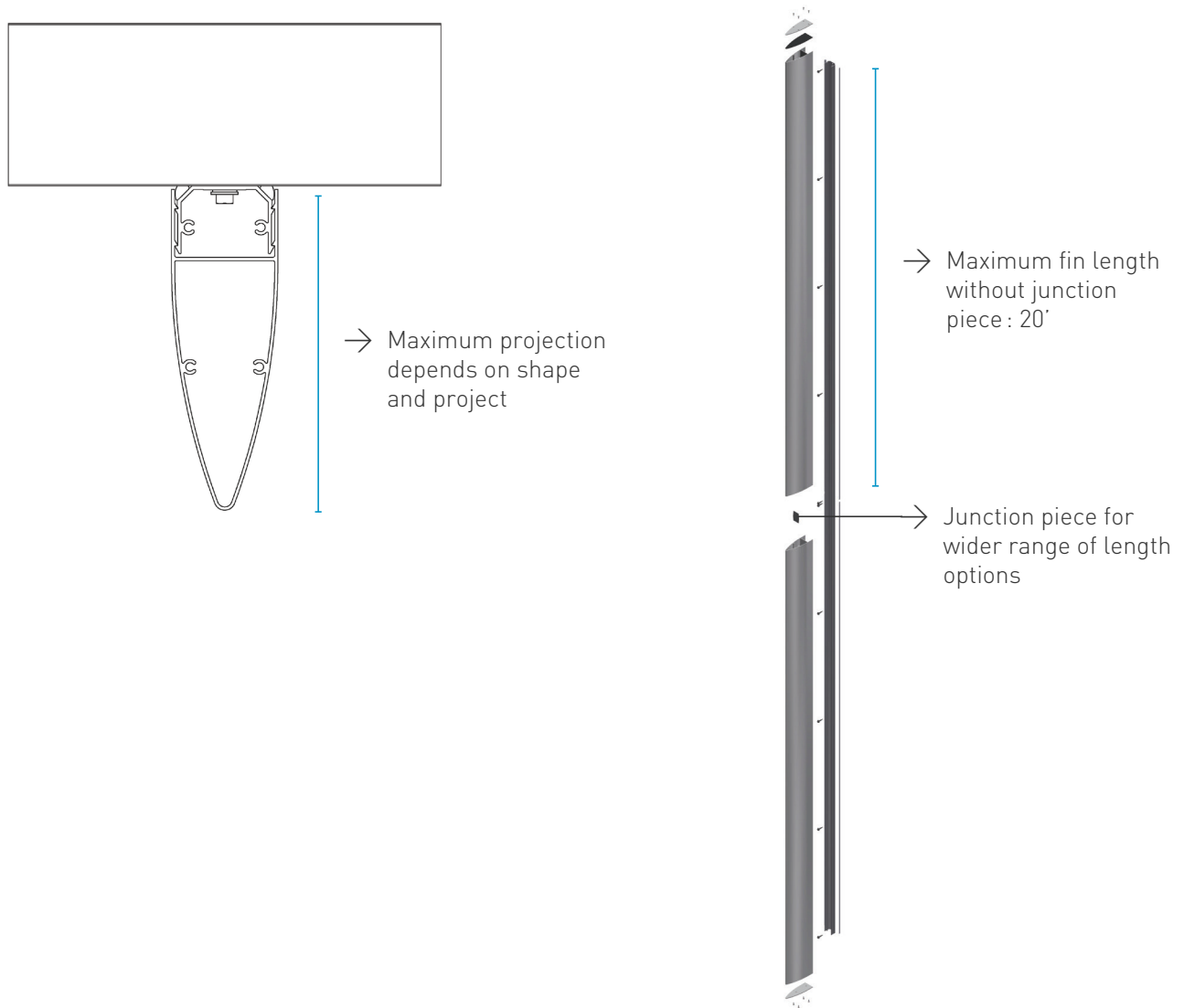
THIS MODEL IS 100% CUSTOMIZABLE

Contact your Norbec technical sales representative to discuss the options best suited for your project!

INSPIRATION



Available in extruded aluminum



FEATURES

						
FIN TYPE	ALIGN		FLEX		VERSA	
COMPATIBILITY	NOREX-H		NOREX-H, NOREX-L, NOREX-M & NOROC		NOREX-H, NOREX-L, NOREX-M & NOROC	
ORIENTATION	Vertical Horizontal		Vertical Horizontal Diagonal		Vertical Horizontal Diagonal	
INSTALLATION SEQUENCE	Simultaneous with installation of panels		Simultaneous with or subsequent to installation of panels		Simultaneous with or subsequent to installation of panels	
MOUNTING	At girts		Surface for NOREX-H, NOREX-L & NOREX-M		Surface for NOREX-H, NOREX-L & NOREX-M	
			Surface and girts for NOREX-H, NOREX-L, NOREX-M & NOROC		Surface and girts for NOREX-H, NOREX-L, NOREX-M & NOROC	
REDUNDANCY	At the joint		No constraints		No constraints	
PROJECTION	Steel: 7"	Aluminium: 12"	8"		Dependent on shape and project	
MAXIMUM LENGTH	12'		12'		20'	
MATERIAL COLOUR OPTIONS	Pre-painted steel : standard Norbec colours*		Pre-painted steel : standard Norbec colours*		Extruded aluminium : customized colours and shapes	
	Aluminium : custom colours		Aluminium : custom colours			
COVER	No cover		Options: No cover, sealed, non-sealed		Options: No cover, sealed, non-sealed	
RETROFIT	No		Yes		Yes	
DELIVERY	🕒 - 🕒 🕒		🕒 - 🕒 🕒		🕒 🕒 🕒	
COST	💰		💰 - 💰 💰		💰 💰 💰	

Fins are designed to withstand wind loads of 70 PSF.

*For colour availability, check with your Norbec technical sales representative.



Norbec Architectural Inc.

97 rue de Vaudreuil, Boucherville (QC), Canada J4B 1K7
1 877 667 2321

For more information about Norbec products, please visit norbec.com

