



PANEL WITH POLYISOCYANURATE (POLYURETHANE)

The Norex-L panel is an high-energy-efficient insulated metal panel designed for building envelope.

NOREX[®]-L

SPECIFICATIONS

DESCRIPTION

- Vertical Mounting
- Joint with concealed fastening clips
- Applications: outdoor wall, indoor ceilings
- Pressure-Equalized Rainscreen Joint

WIDTH ⁽¹⁾⁽²⁾ 36" or 42 ½"

THICKNESS 2", 3", 4", 5", 6" and 8"

R-VALUE

- R8/in @ 75 °F mean temperature ⁽⁴⁾
- R9/in @ 35 °F mean temperature ⁽⁴⁾

MAXIMUM LENGTH 52" - 3"

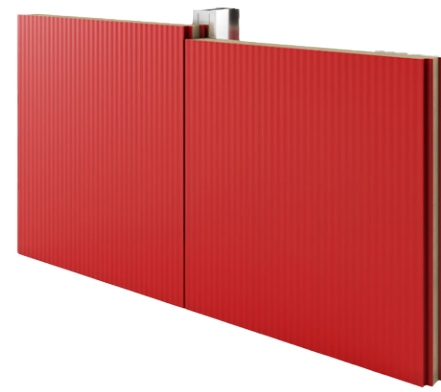
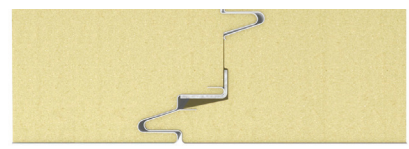
STEEL INNER FACE Silklime - Grooved

STEEL OUTER FACE Micro-ribbed - Silklime - Grooved

WEIGHT ⁽³⁾	2	3	4	5	6	8
26/26	1.94	2.16	2.38	2.60	2.82	3.26
24/24	2.44	2.66	2.88	3.10	3.32	3.76
22/22	2.94	3.16	3.38	3.60	3.82	4.26

CERTIFICATIONS

JOINTS



(1) The final module width may change due to variations in fabrication and installation. It is not recommended to design panel layouts where precise module sizing is critical, as minor variations may occur. (2) Product availability is subject to change without notice and minimum quantities may be required for certain product configurations. For more information, please contact your local representative. (3) Calculations based on an insulated density of 2.29. (4) Results as per ASTM C518, ASTM C1363 testing and technical evaluation.

APPLICATIONS

Norex panels can be found in a variety of applications including industrial and commercial buildings, cold-storage and controlled-environment buildings, sports centers, interior partitions and suspended ceilings with limited load-bearing capacity.

FEATURES / BENEFITS



- Exclusive and superior fastening system
- Wider girt spacing reduces costs
- Fast, simple & economical installation

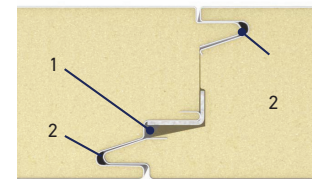
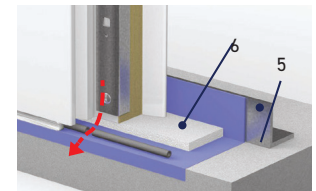
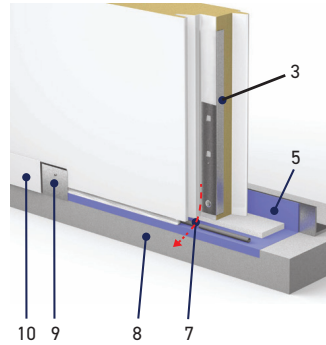


- The materials are environmentally friendly and nontoxic
- Can contribute to obtaining LEED certification for a project



- No cavities, moisture penetration, thermal bridges, risk of interstitial condensation, or lack of insulation
- Norex-L pressure-equalized rainscreen joint ensures that the building envelope is well sealed
- Factory-applied butyl joint sealer ensures maximum seal

PRESSURE-EQUALIZED RAINSCREEN JOINT



1. AIR CAVITY
2. BUTYL
3. NOREX® FASTENER
4. STRUCTURAL ANGLE
5. VAPOR BARRIER

6. POLYETHYLENE
7. WEEP HOLE
8. FOUNDATION
9. TRIM HANGER
10. TRIM

MAIN PHYSICAL PROPERTIES OF POLYISOCYANURATE

PROPERTY	METHOD	RESULTS
R-value/in. of thickness	ASTM C518	→ R8/in @ 75 °F mean temperature ⁽⁴⁾ → R9/in @ 35 °F mean temperature ⁽⁴⁾
Density (lb/ft ³)	ASTM D1622	Density (pcf) 2.29 Std dev 0.01
Compressive strength (psi)	ASTM D1621	13.7 PSI (3" thick sample)
Flexural strength (psi)	ASTM C203	25-30
Permeability to water vapor (perms/in.)	ASTM E96/E96M	< 2,0
Water absorption (max.)	ASTM D2842	< 1.5 %
Dimensional stability (max.)	ASTM 2126	Dimensional stability: Std dev 0.2 7 day Vol Chg @ 70 °C/97 % R.H 4.3
Linear thermal expansion coefficient (in./in./°F)	ASTM D696	35.47 × 10 - 6

TESTS

	PROCEDURE	RESULTS
Fire – Canada	CAN/ULC-S101	Meets 10-minute stay-in-place requirements
	CAN/ULC-S102	Meets the requirements of the National Building Code of Canada
	CAN/ULC-S126	Test requirements have been met
	CAN/ULC-S134	Complies with the fire-spread and heat-flux limitations required by the National Building Code of Canada
	CAN/ULC-S138	Test requirements have been met
Fire – US	ASTM E84	Flame spread < 25 Smoke developed < 450
	FM 4880	Product approved up to 6" thick
	NFPA 259	Product tested
	NFPA 285	Test requirements have been met
	NFPA 286	Test requirements have been met
Structural	ASTM E72	See Deflection Chart
	FM 4881	See FM Wall load Chart
Air infiltration	ASTM E283	Test requirements have been met
	ASTM E330	Test requirements have been met
	CAN/ULC-S741	Test requirements have been met
	CAN/ULC-S742	Test requirements have been met
Thermal performance	ASTM C518	→ R8/in @ 75 °F mean temperature ⁽⁴⁾ → R9/in @ 35 °F mean temperature ⁽⁴⁾
	CAN/ULC-S770-09	Testing requirements have been met per CAN/ULC-S704-11
Water infiltration	ASTM E331	Test requirements have been met
	AAMA 501.1	Test requirements have been met

Product availability is subject to change without notice and minimum quantities may be required for certain product configurations. For more information, please contact your local representative. All specifications provided in this document are current at the time of printing. Per Norbec Architectural's commitment to continuous product improvement, we reserve the right to modify specifications at any time without prior notice. The latest version can be found on the website. Norbec.com – 1 877 667-2321