

POLYISOCYANURATE (POLYURETHANE) CORE PANEL

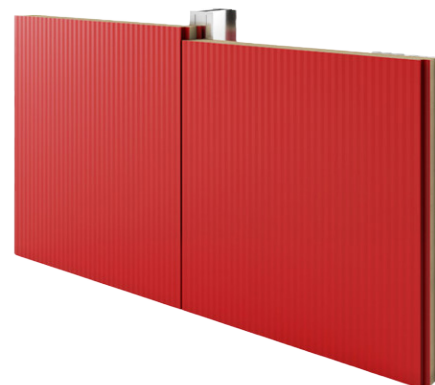
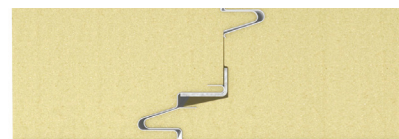
The Norex-L architectural panel is an energy-efficient insulation panel designed for building envelope construction.

NOREX[®]-L

PARAMETERS

DESCRIPTION	<ul style="list-style-type: none"> > Vertical Mounting > Joint that conceals the clip > Applications: outdoor wall, indoor ceilings > Pressure Equalized Rainscreen Joint 						
	WIDTH ⁽¹⁾⁽²⁾	36" or 42 1/2"					
	THICKNESS	2", 3", 4", 5", 6" and 8"					
	R-VALUE	<ul style="list-style-type: none"> > R8/in @ mean temp 75F ⁽⁵⁾ > R9/in @ mean temp 35F ⁽⁵⁾ 					
MAXIMUM LENGTH	7" to 52'-3"						
STEEL INNER FACE	Silkline - Grooved						
STEEL OUTER FACE	Microribbed - Silkline - Grooved						
WEIGHT ⁽³⁾⁽⁴⁾		2	3	4	5	6	8
	26/26	1.92	2.14	2.35	2.56	2.77	3.20
	24/24	2.42	2.64	2.85	3.06	3.27	3.70
	22/22	2.92	3.14	3.35	3.56	3.77	4.20

JOINTS



CERTIFICATIONS



(1) Due to manufacturing and installation variations, the final assembly module may vary. We do not recommend designing a panel arrangement in which module dimensions are critical. (2) Product availability is subject to change without notice and minimum quantities may be required for certain product configurations. Please contact your local representative for more information. (3) Panel weight for a 42 1/2" wide Norex-L panel. (4) Calculations based on 26-gauge steel on both faces, with an insulated density of 2.65. (5) Results as per ASTM C518, ASTM C1363 testing and technical evaluation.

APPLICATIONS

Norex panels can be found in a variety of applications including industrial and commercial buildings, cold-storage and controlled-environment buildings, sports centers, interior partitions and suspended ceilings with limited load-bearing capacity.

FEATURES / BENEFITS



- > Exclusive and superior clip system
- > Wider girt spacing reduces costs
- > Fast, simple & economical installation

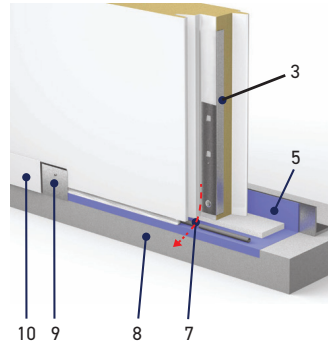


- > The materials are environmentally friendly and nontoxic
- > Can contribute to obtaining LEED certification for a project

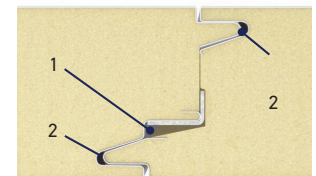
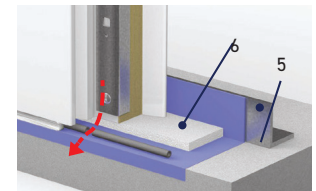


- > No cavities, moisture penetration, thermal bridges, risk of interstitial condensation, or lack of insulation
- > Norex-L pressure-equalized rainscreen joint ensures that the building envelope is well sealed
- > Factory-applied butyl joint sealer ensures maximum seal

PRESSURE-EQUALIZED RAINSCREEN JOINT



1. Air cavity
2. Butyl
3. Norex® clip
4. Structural angle
5. Vapor barrier



6. Polyethylene
7. Weep hole
8. Foundation
9. Trim hanger
10. Trim

MAIN PHYSICAL PROPERTIES OF POLYISOCYANURATE

PROPERTY	METHOD	RESULT
R-value/inch thickness	ASTM C518	> R8/in @ mean temp 75F ⁽⁵⁾ > R9/in @ mean temp 35F ⁽⁵⁾
Density (lb/ft ³)	ASTM D1622	Density (PCF): 2.29 σ 0.01
Compressive strength (PSI)	ASTMD1621	13.7 PSI (3" thick sample)
Flexural strength (PSI)	ASTM C203	25-30
Water vapour permeability (perms/in)	ASTM E96/E96M	<2.0
Water absorption (max.)	ASTM D2842	<1.5%
Dimensional stability (max.)	ASTM 2126	Dimensional stability: Std dev 0.2 7 day Vol Chg @ 70 °C/97 % R.H 4.3
Coefficient of linear expansion (in/in/°F)	ASTM D696	35.47 × 10 - 6

TESTS

	PROCEDURE	RESULTS
Fire – Canada	CAN/ULC-S101	Meets 10-minute stay-in-place requirements
	CAN/ULC-S102	Meets the requirements of the National Building Code of Canada
	CAN/ULC-S134	Meets the fire spread and heat flux limits required by the National Building Code of Canada
	CAN/ULC-S138	Meets requirements
	S-126	Meets requirements
Fire – US	ASTM E84	Flame spread < 25 Smoke developed < 450
	FM 4880	Product approved up to 6 inches thick
	NFPA 259	Product tested
	NFPA 286	Meets requirements
	NFPA 285	Meets requirements
Structural	ASTM E72	See Load Chart
	FM 4881	See FM Wall load Chart
Air infiltration	ASTM E283	Meets requirements
	ASTM E330	Meets requirements
	CAN-ULC-S741	Meets requirements
	CAN-ULC-S742	Meets requirements
Thermal performance	ASTM C518	> R8/in @ mean temp 75F ⁽⁵⁾ > R9/in @ mean temp 35F ⁽⁵⁾
	CAN/ULC-S770-09	Meets requirements according to CAN/ULC-S704-11
Water infiltration	ASTM E331	Meets requirements
	AAMA 501.1	Meets requirements

Product availability is subject to change without notice and minimum quantities may be required for certain product configurations. Please contact your local representative for more information. All information in this document is current at the time of printing. However, please note that in accordance with Norbec Architectural's product improvement policy, we reserve the right to make changes at any time without notice. The latest version can be found on the website. Norbec.com – 1 877 667-2321