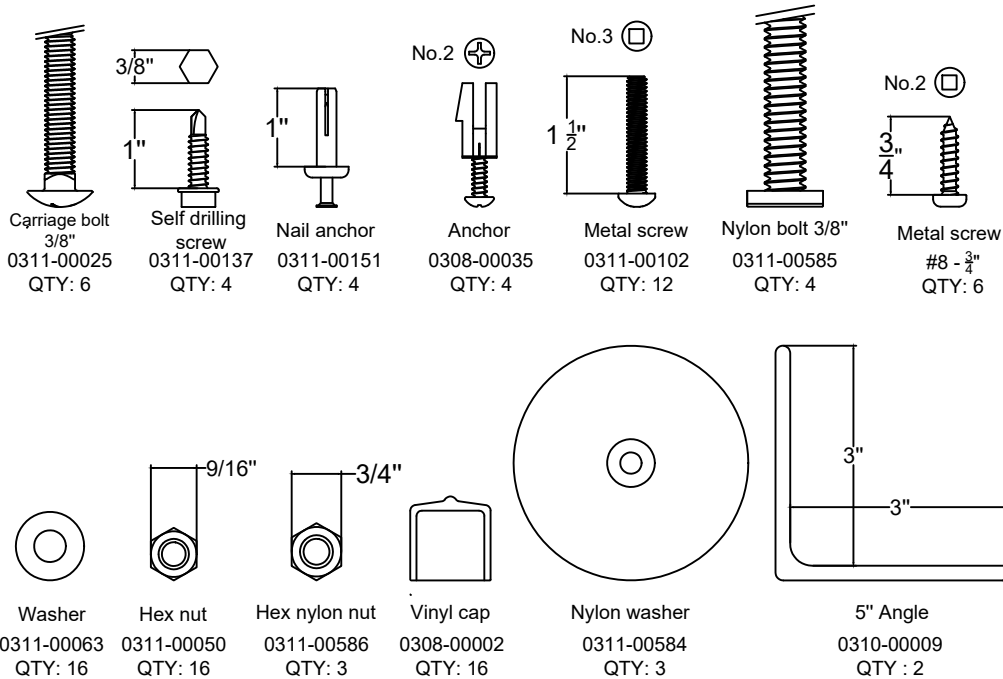
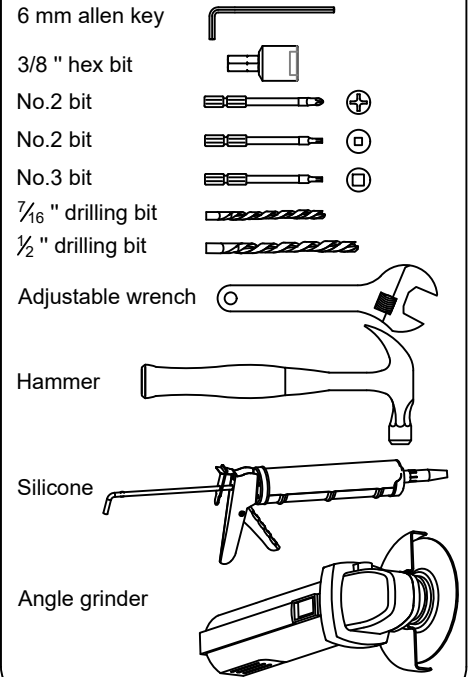


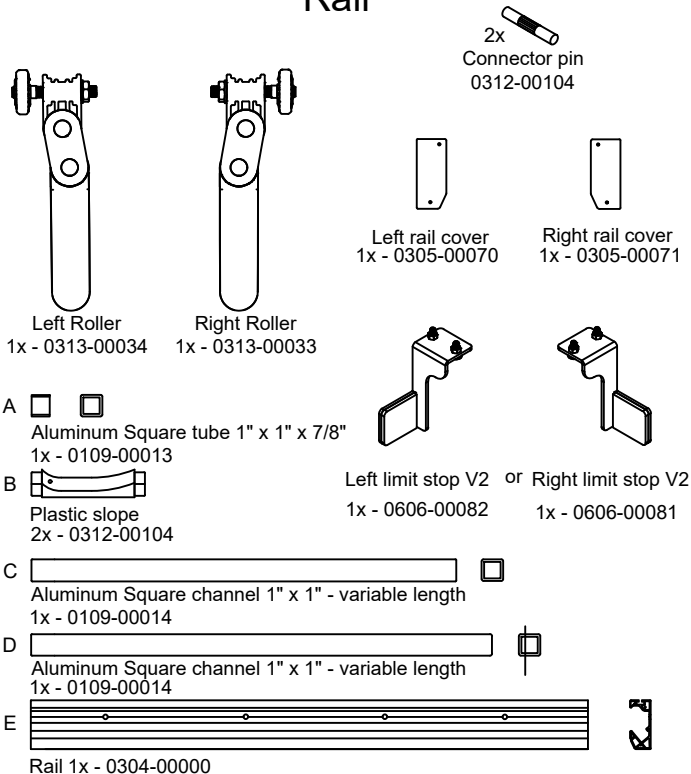
### Hardware needed for installation



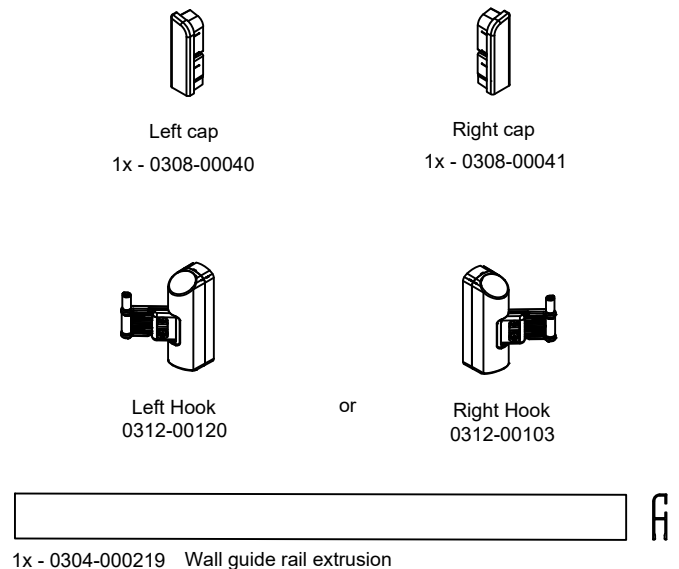
### Tool list



### Rail

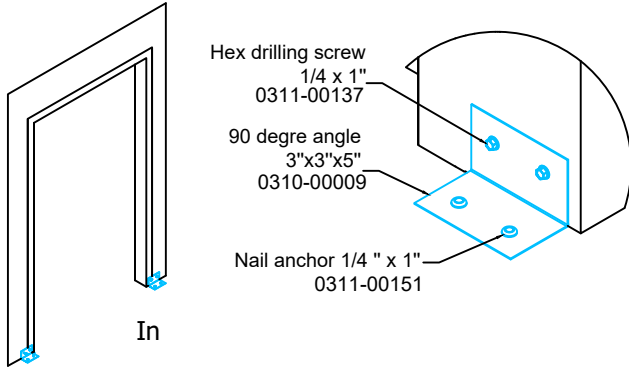


### Wall Guide



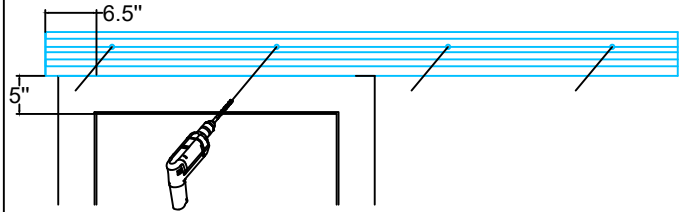
### Step 1.

Install the reinforcement angles at the bottom of the interior walls, on both sides of the frame, using the anchors and screws provided in the kit



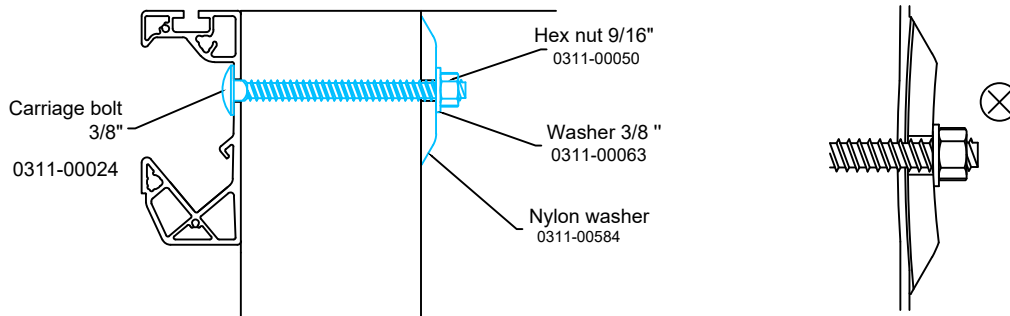
### Step 2.

Position the E rail at 6 1/2 " from the side of the opening and at 5" high from the top the opening. Mark the position of the rail holes on the wall. Drill the holes with a 7/16" drill bit.



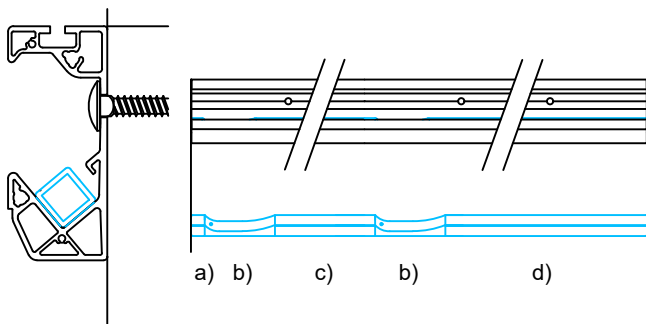
### Step 3.

Secure the rail with the carriage bolts, washers and nuts provided with the kit. (Do not over-torque and deform the panel)



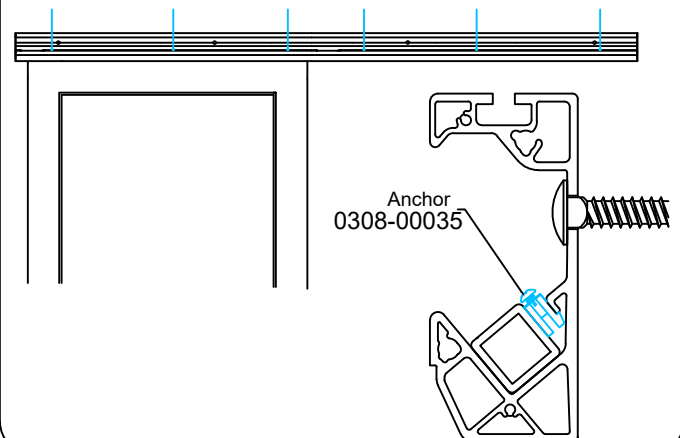
### Step 4.

Assemble the guide bar in the following order: a)-b)-c)-b)-d). Insert it into the main rail.



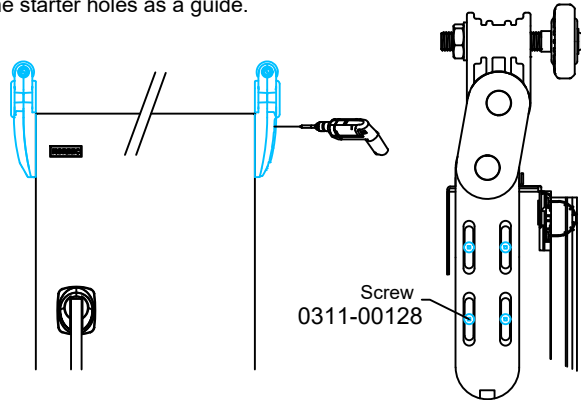
### Step 5.

Secure the guide bar to the rail using the 6 anchors.



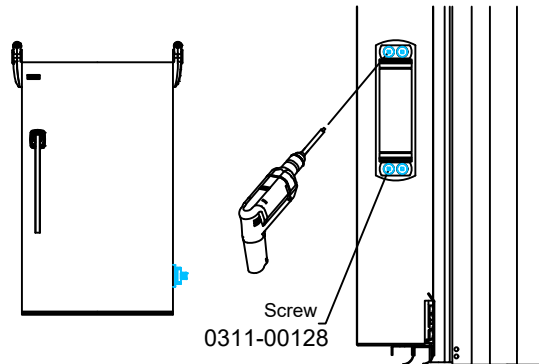
### Step 6.

With 4 screws, install the two wheel supports on the door, using the starter holes as a guide.



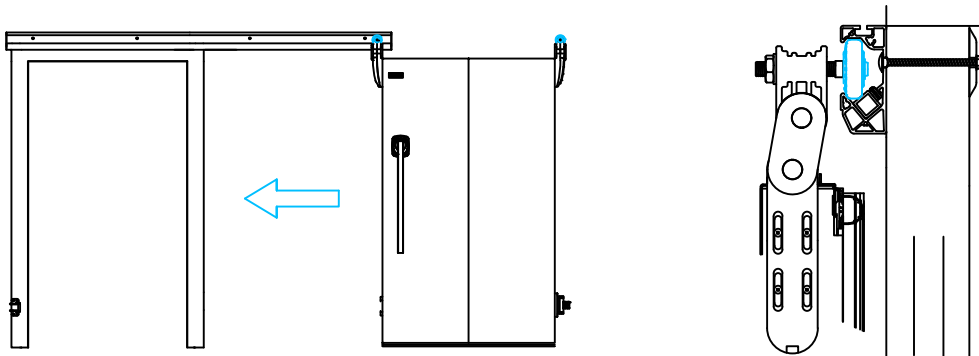
### Step 7.

On the side of the door facing the opening, install with 4 screws the guide, using the starter holes.



### Step 8.

Insert the door wheels into the main rail's track, from the right end. Set the door in the closed position, so that the wheels are in the guide bar's notches.



### Step 9.

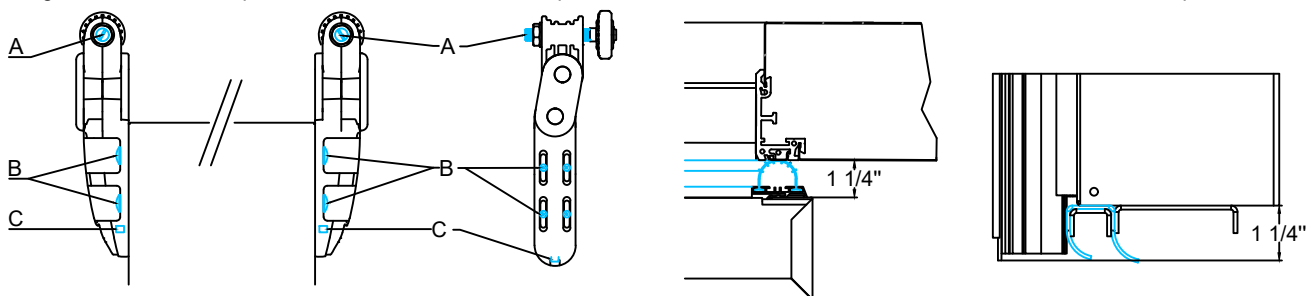
Adjust the door height so that the insulation gaskets are well compressed against the wall.

Screw A: Adjust the distance between the door and the wall

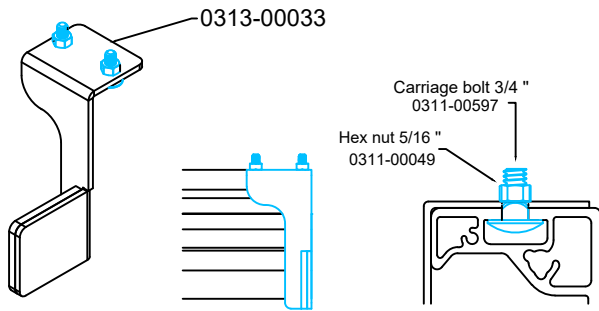
Screw B: Loosen the wheel in order to adjust the height with screw BE CAREFULL NOT TO OVERTIGHT THE SCREWS

Screw C: Adjust the height of the door in relation to the floor

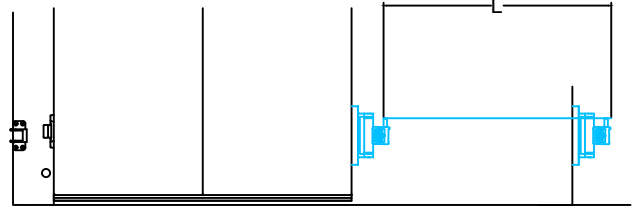
The gaskets are well compressed when the door in closed position is 1 1/4" from the frame and 1" from the floor for the sweep.



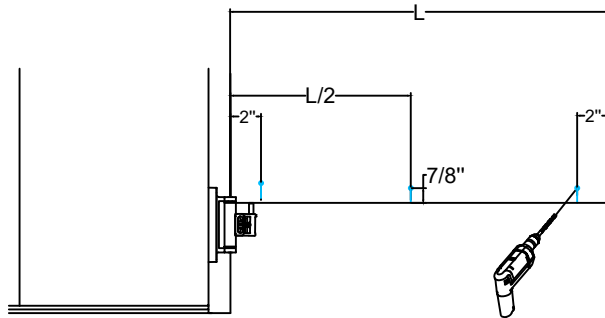
**Step 10.**  
Slide the nuts into the rail groove and align the bracket flush to the edge of the rail and screw the nuts to solidify.



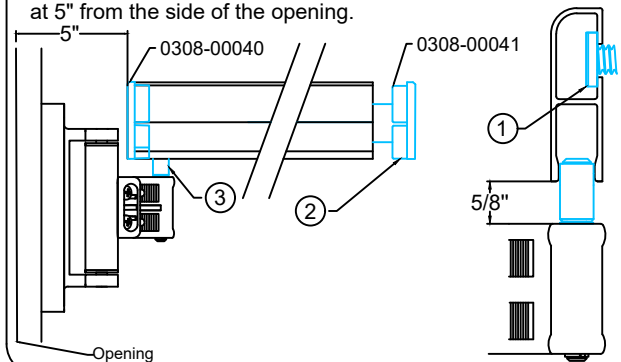
**Step 11.**  
Make the adjustment from step 19 before continuing. Slightly open the door and draw a line above the guide's roller. Fully open the door and draw another line above the guide's finger. On the wall, draw a line that connects the two marks, with the length of the lower rail (L).



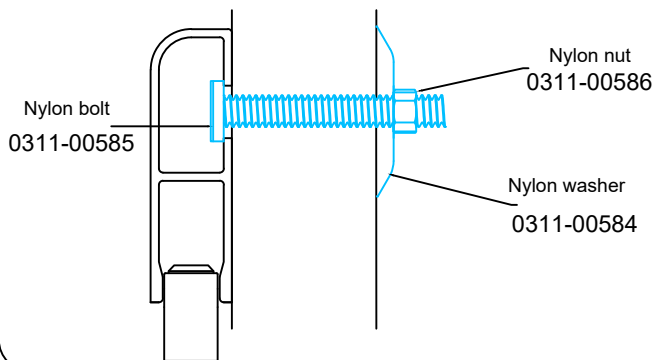
**Step 12.**  
At 2" from each side of the line, make a starter hole, with a 7/8" offset over the line. Make another starter hole in the center of the line (L/2), with an offset of 7/8" over the line. Drill the passing holes with a 1/2" drill bit.



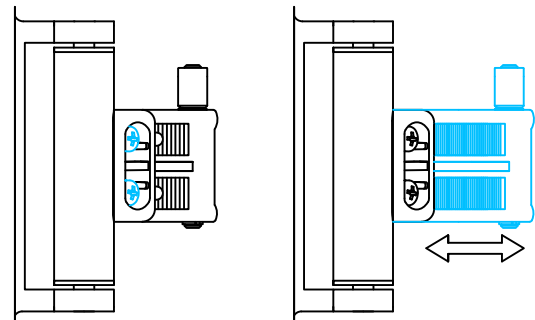
**Step 13.**  
Insert the 3 nylon bolts, the caps and the guiding hook on to the wall guide rail. Make sure you have 5/8" between the wall guide rail and the plastic piece with the door closed. Position the wall guide at 5" from the side of the opening.



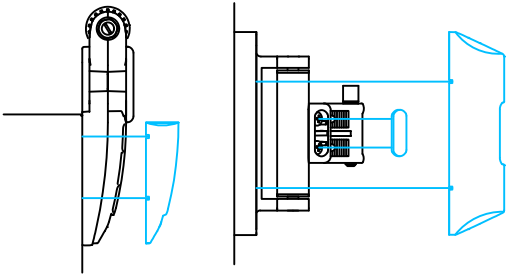
**Step 14.**  
Insert the nylon bolts in the passing holes drilled before and solidify from the inside of the room with nylon nuts and washers.



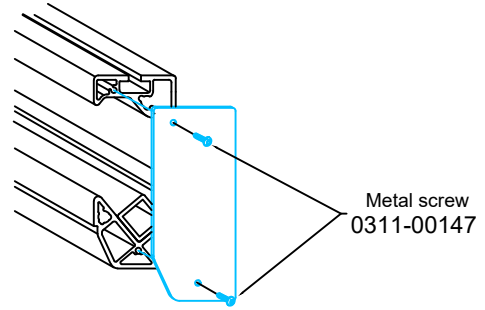
**Step 15.**  
Adjust the length of the hook by loosening the screws and pulling the movable section. **BE CAREFUL NOT TO DISENGAGE THE SPRINGS THAT REST AGAINST THE MOVABLE PART.**



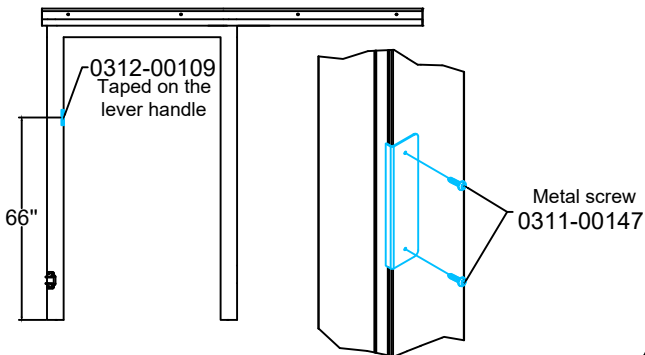
Step 16.  
Install the covers on the wheels and the wall guid hook.



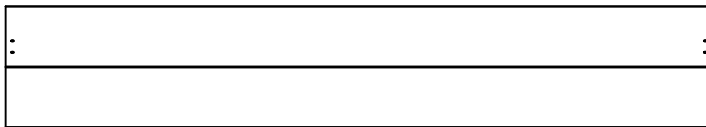
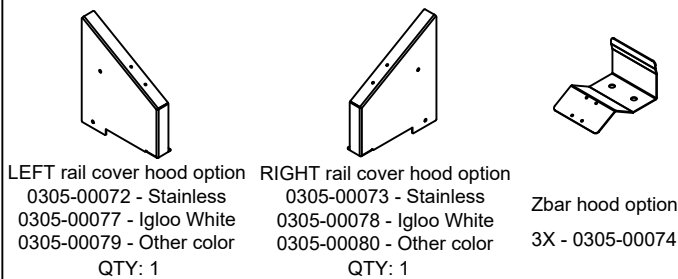
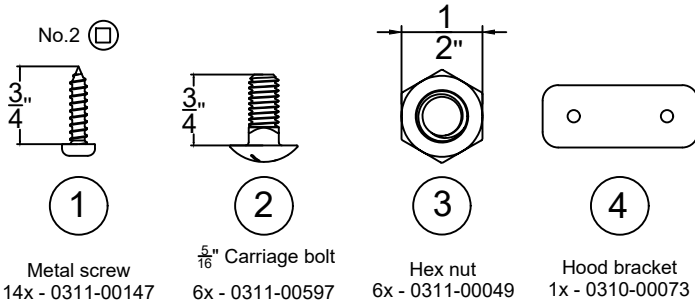
Step 17.  
IF THE DOOR HAS A HOOD OPTION, SKIP THIS STEP  
With 2 screws, install the covers on the main rail.



Step 18.  
Screw the frame protection plate on to the frame at 66" from the floor. Make sure the lever handle hold on the plate when used.

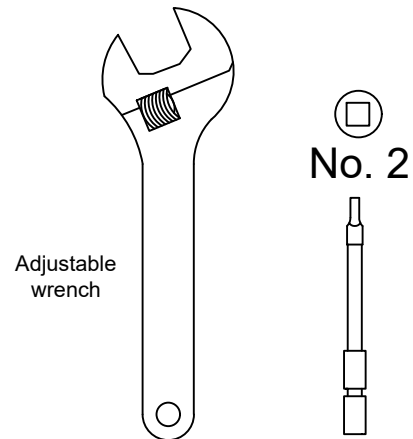


### Hardware for HOOD OPTION



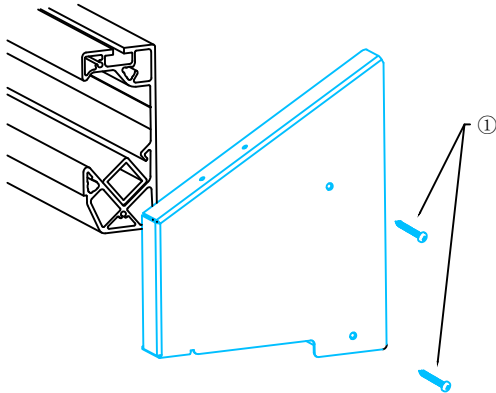
2x - 0328-00342 Top plate for sliding door hood - variable length

### Tool list



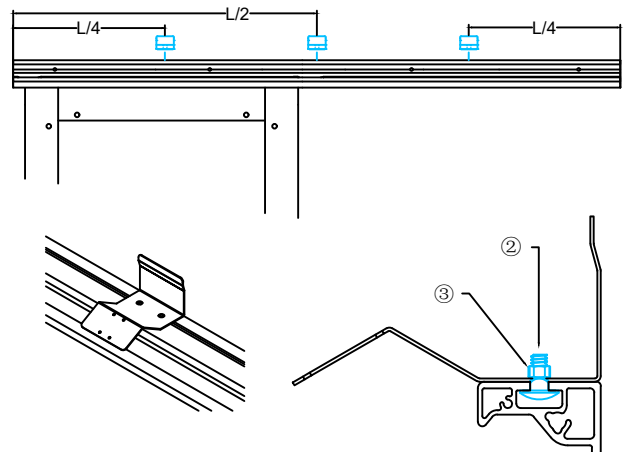
#### Step H1.

Screw on the support plate with two screws ①, through the circular part at the end of the rails. To do on both side.



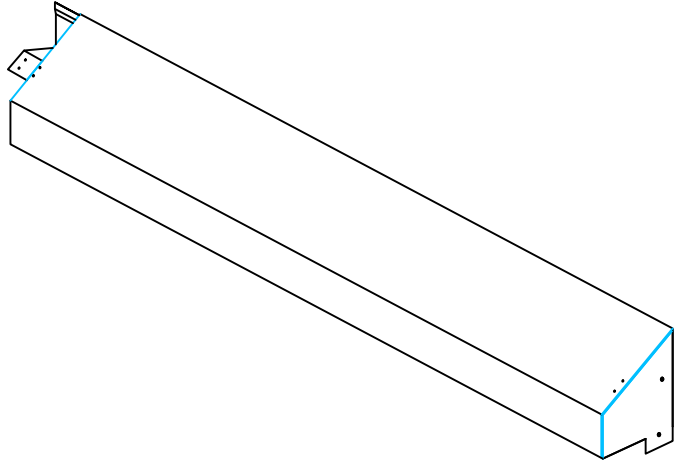
#### Step H2.

Place the brackets on the rail according to the images below. Adjust the center bracket in relation to the hood. Screw on the nuts to solidify, making sure not to move the brackets.



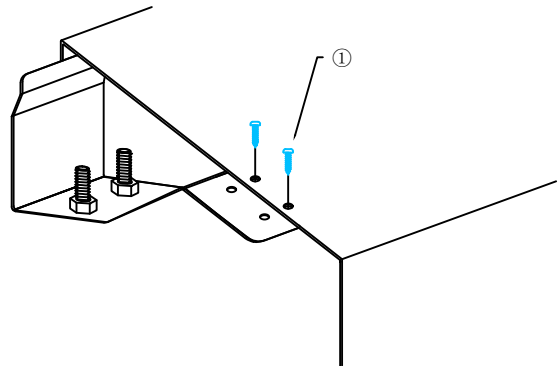
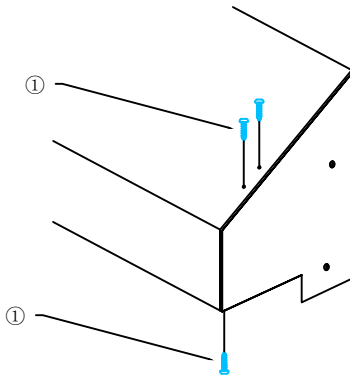
### Step H3.

Place one of the two halves of the hood on the support brackets, the superior bend should be between the wall and the brackets. Make sure that the hood is well align with the brackets.



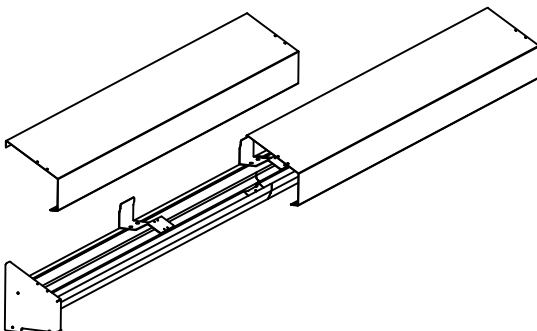
### Step H4.

Screw one end of the hood to the bracket with two screws ① on top and one screw ① on the interior bend. Screw the other end of the hood on the center bracket with two screws ①.



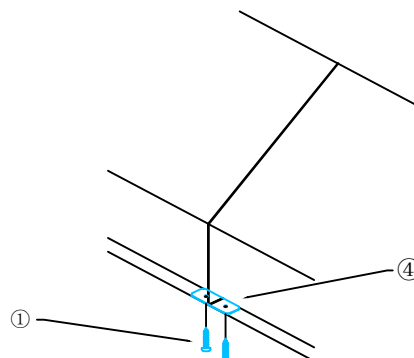
### Step H5.

Install the hood using the metal screws ①.

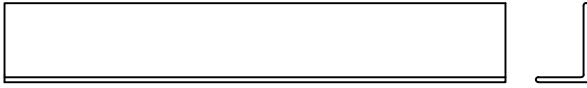


### Step H6.

Place the support plate ④ inside the interior bend, align the holes and screw on with two metal screws ①.



### Hardware for protection angle



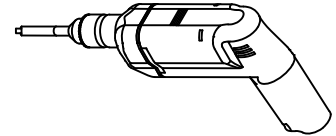
1x - 0305-00008 Protection angle 3/8" x 4" x 6" x 66" steel painted grey



Screw anchor KH-EZ 3/8 x 3-1/2"  
1x - 0311-00382

### Tool list

Drill Machine

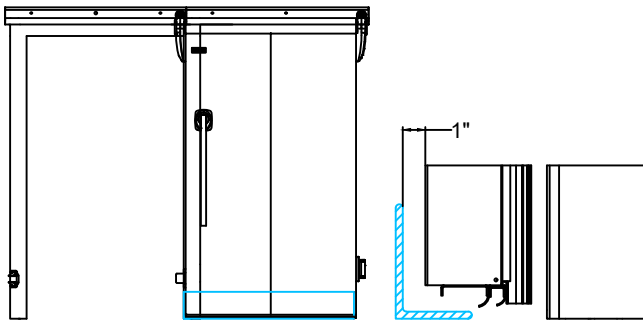


3/8" concret drilling bit



#### Step 1.

Position the angle aligned with the opening of the door and parallel to the wall. Leave a 1" gap between the door and the angle with the door in open position.



#### Step 2.

Drill a  $\frac{5}{16}$ " hole aligned with the angle's hole. Screw the anchors in place.

